

Barudan

HIGH SPEED AUTOMATIC EMBROIDERY MACHINE

ELITE JR
BEVT-Z3/Z9/Z1501CA

PARTS LIST

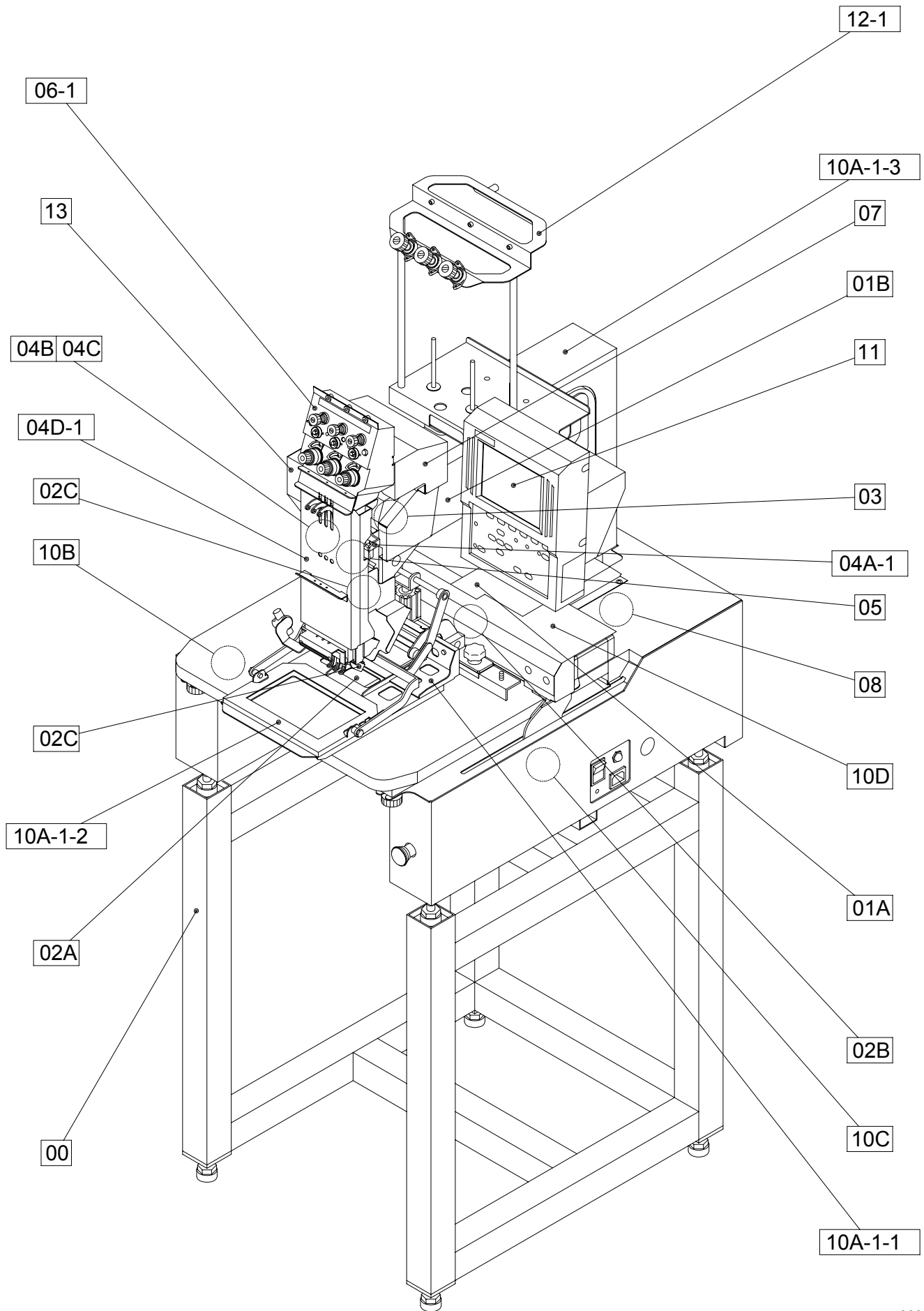
BEVT-Z3/Z9/Z1501CA

HIGH SPEED AUTOMATIC EMBROIDERY MACHINE

CONTENTS

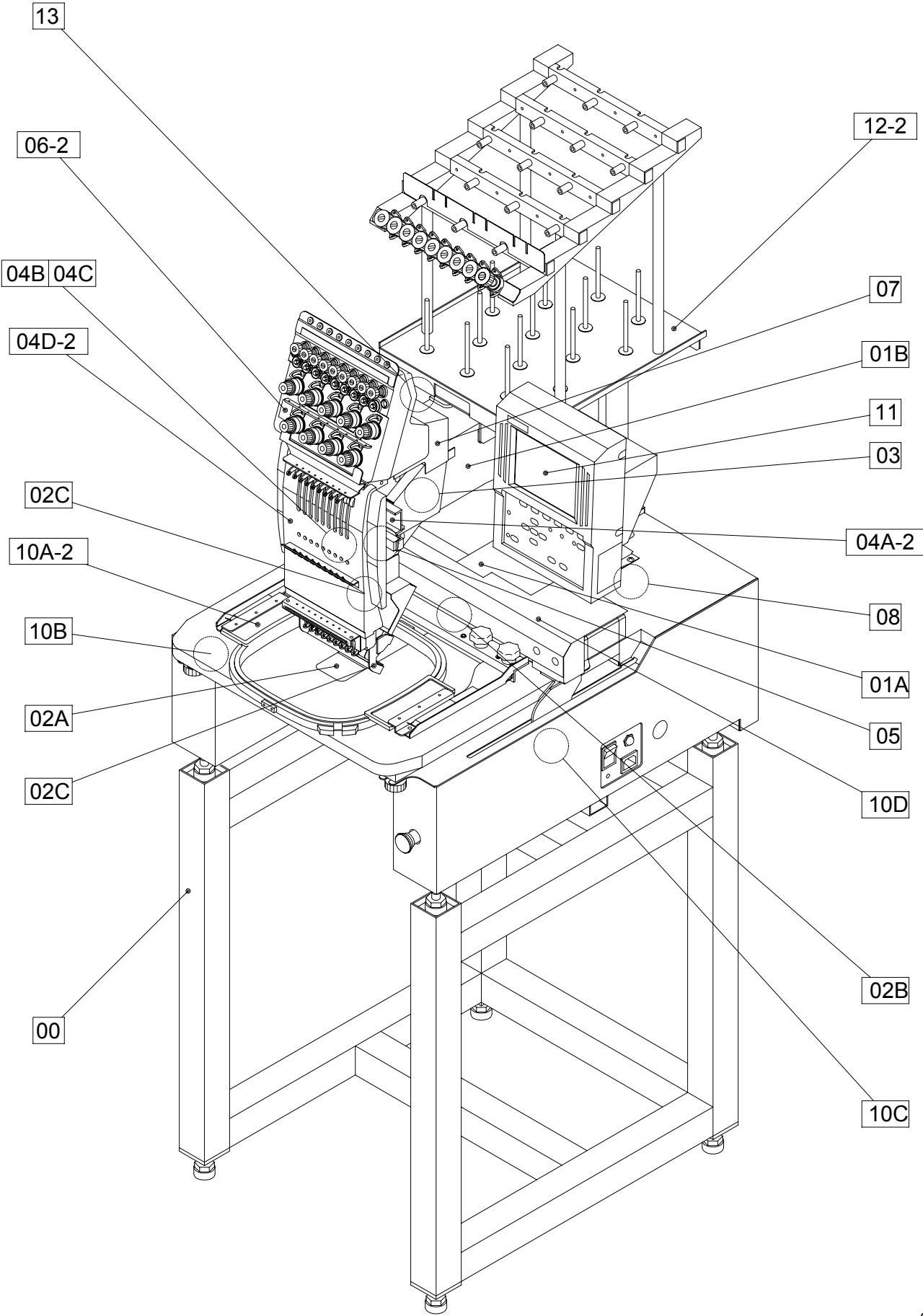
00	Table-Frame	06-2	Thread guide (Z9)
01A	Head-Bed A	06-3	Thread guide (Z15)
01B	Head-Bed B	07	Color change
02A	Thread cut A	08	Drive
02B	Thread cut B	10A-1-1	Pantograph drive A (Z3)
02C	Thread cut C	10A-1-2	Pantograph drive A (Z3)
03	Take up lever	10A-1-3	Pantograph drive A (Z3)
04A-1	Needle bar A (Z3)	10A-2	Pantograph drive A
04A-2	Needle bar A (Z9)	10B	Pantograph drive B
04A-3	Needle bar A (Z15)	10C	Pantograph drive C
04B-1	Needle bar B	10D	Pantograph drive D
04B-2	Needle bar B	11	Control
04C	Needle bar C	12-1	Accessories (Z3)
04D-1	Needle bar D (Z3)	12-2	Accessories (Z9)
04D-2	Needle bar D (Z9/Z15)	12-3	Accessories (Z15)
05	Jump	13	Lower Thread Roll
06-1	Thread guide (Z3)		INDEX

Machine layout
BEVT-Z301CA)



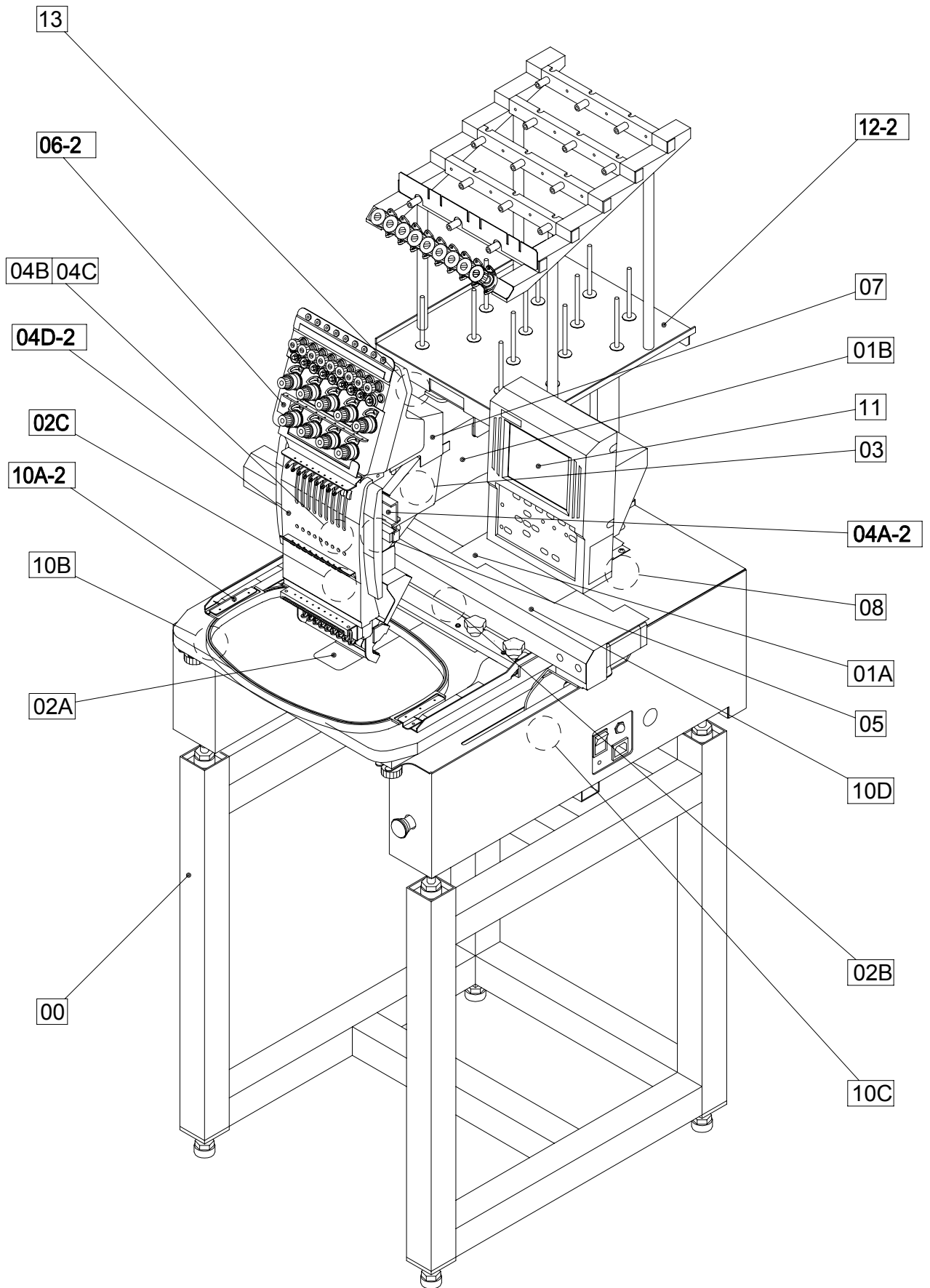
From the library of: Diamond Needle Corp

Machine layout
BEVT-Z901CA(250×250)



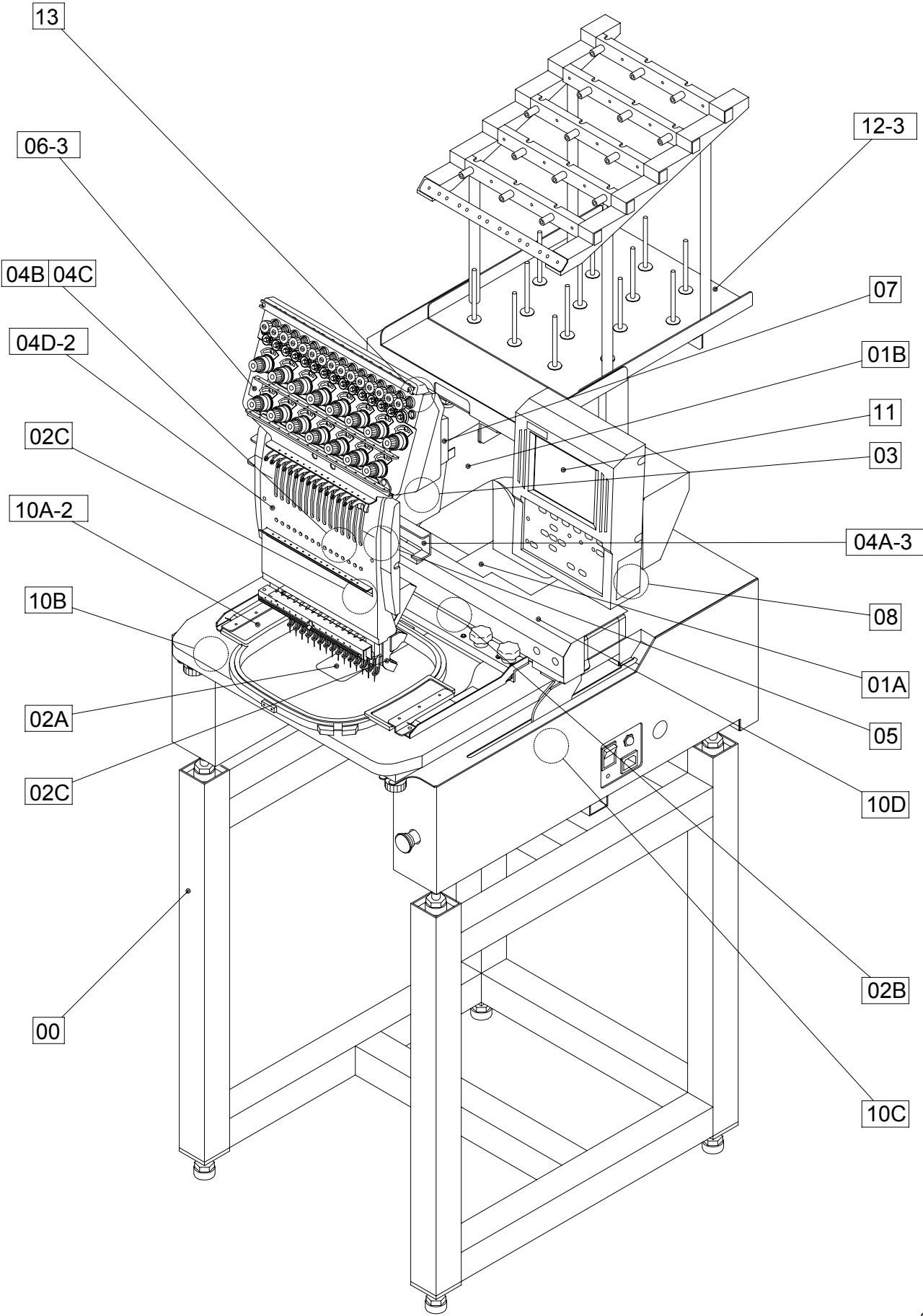
From the library of: Diamond Needle Corp

Machine Layout
BEVT-ZN01CA (250x400)



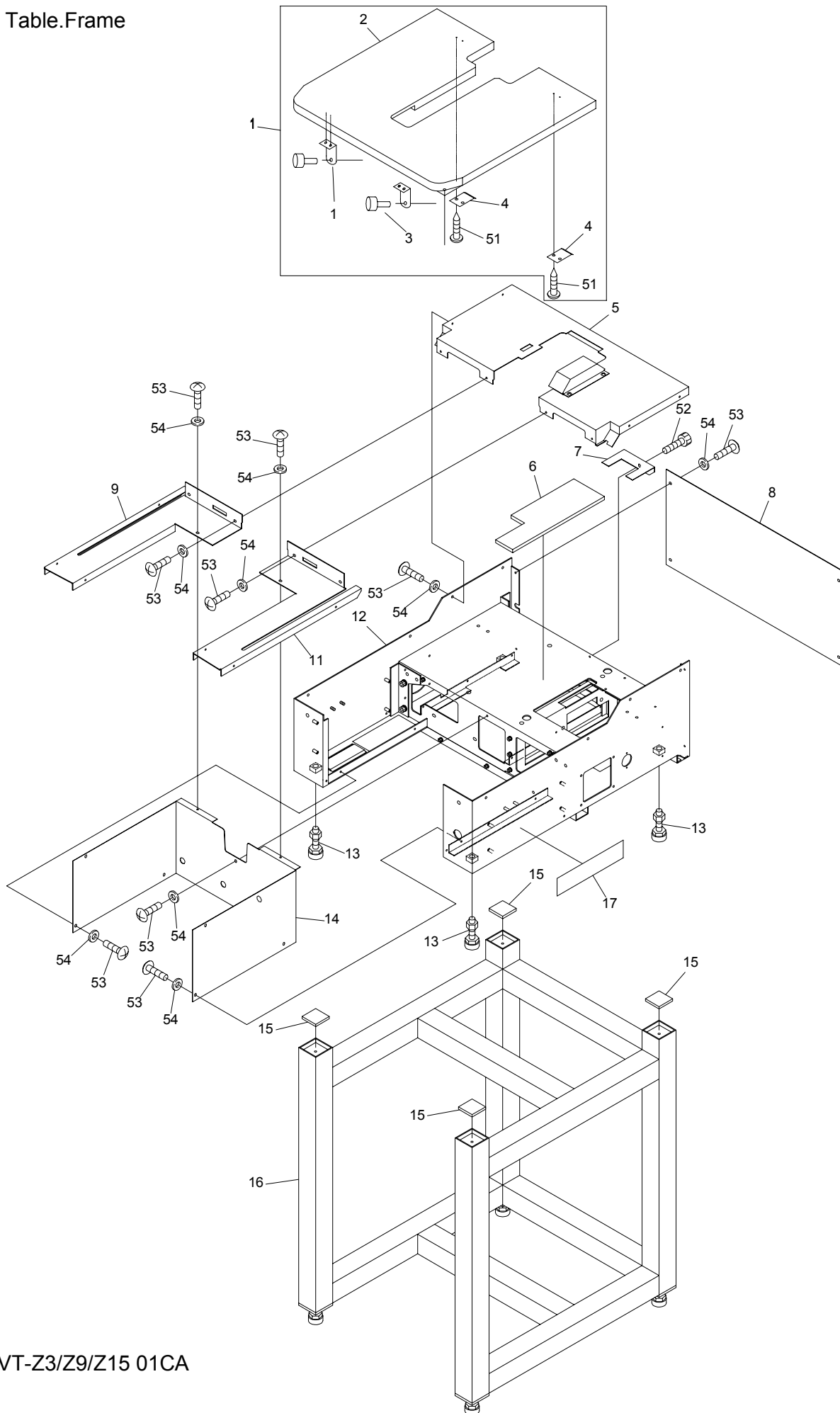
From the library of: Diamond Needle Corp

Machine layout
BEVT-1501CA

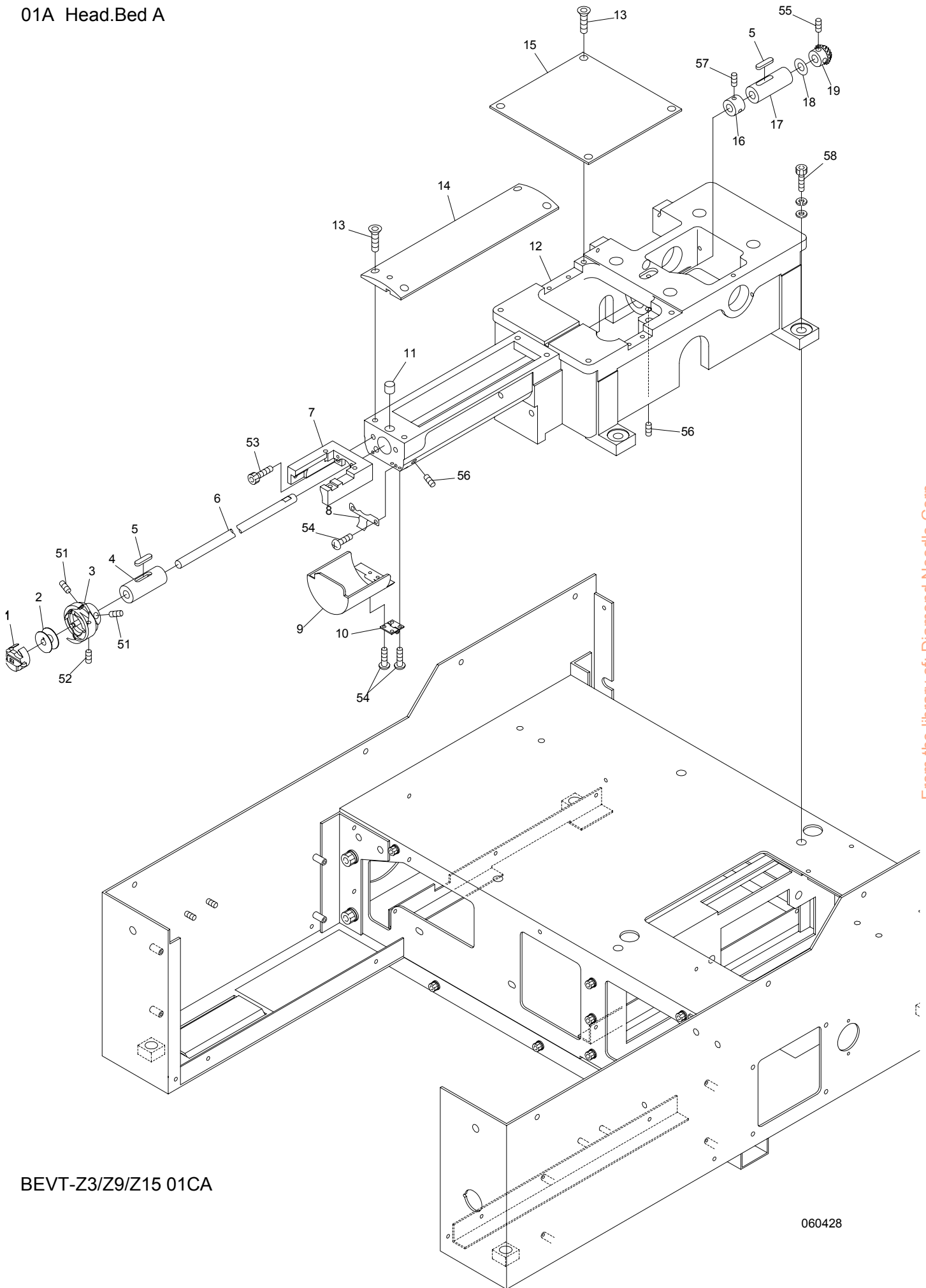


From the library of: Diamond Needle Corp

00 Table.Frame



01A Head.Bed A

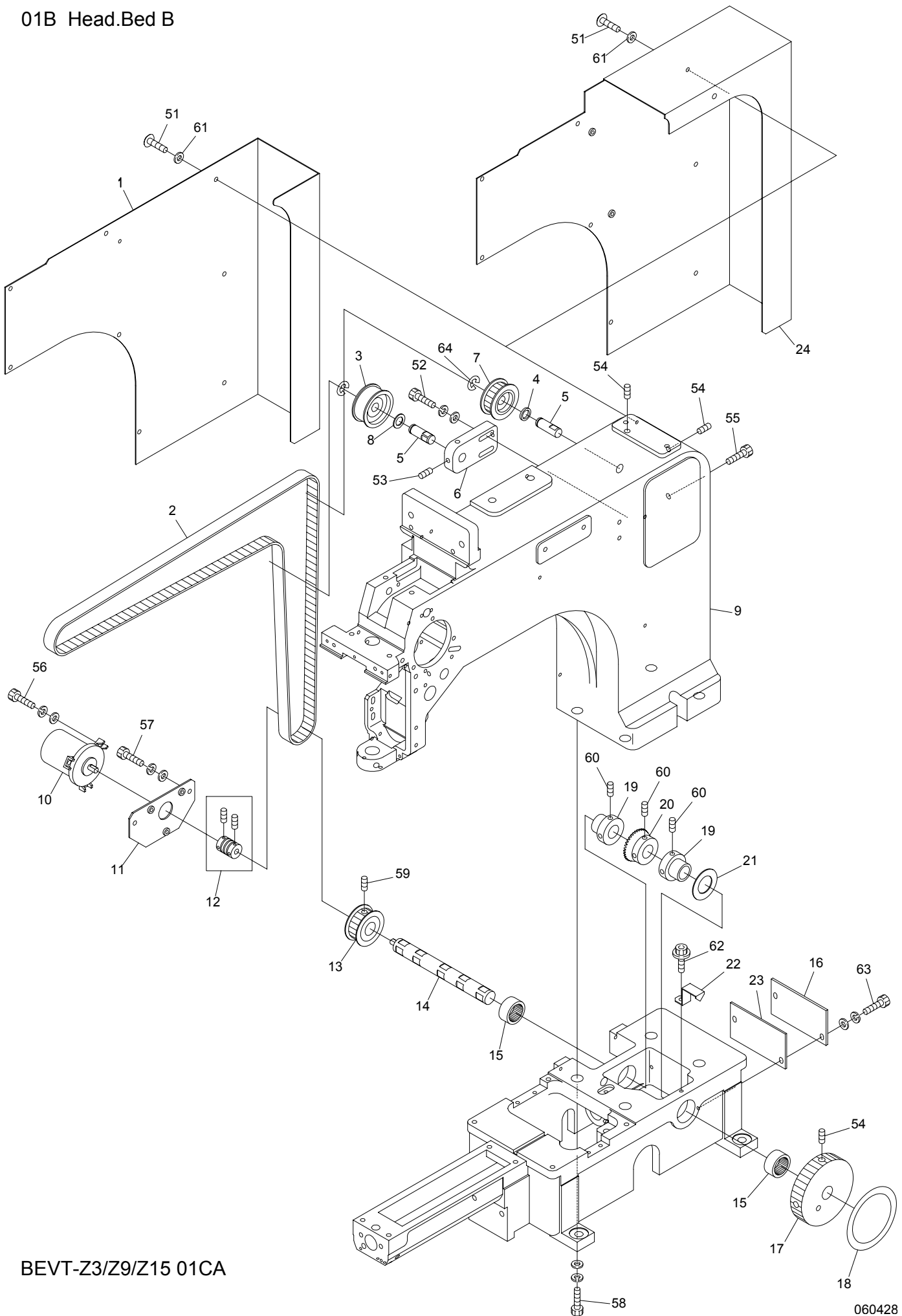


From the library of: Diamond Needle Corp

BEVT-Z3/Z9/Z15 01CA

060428

01B Head.Bed B



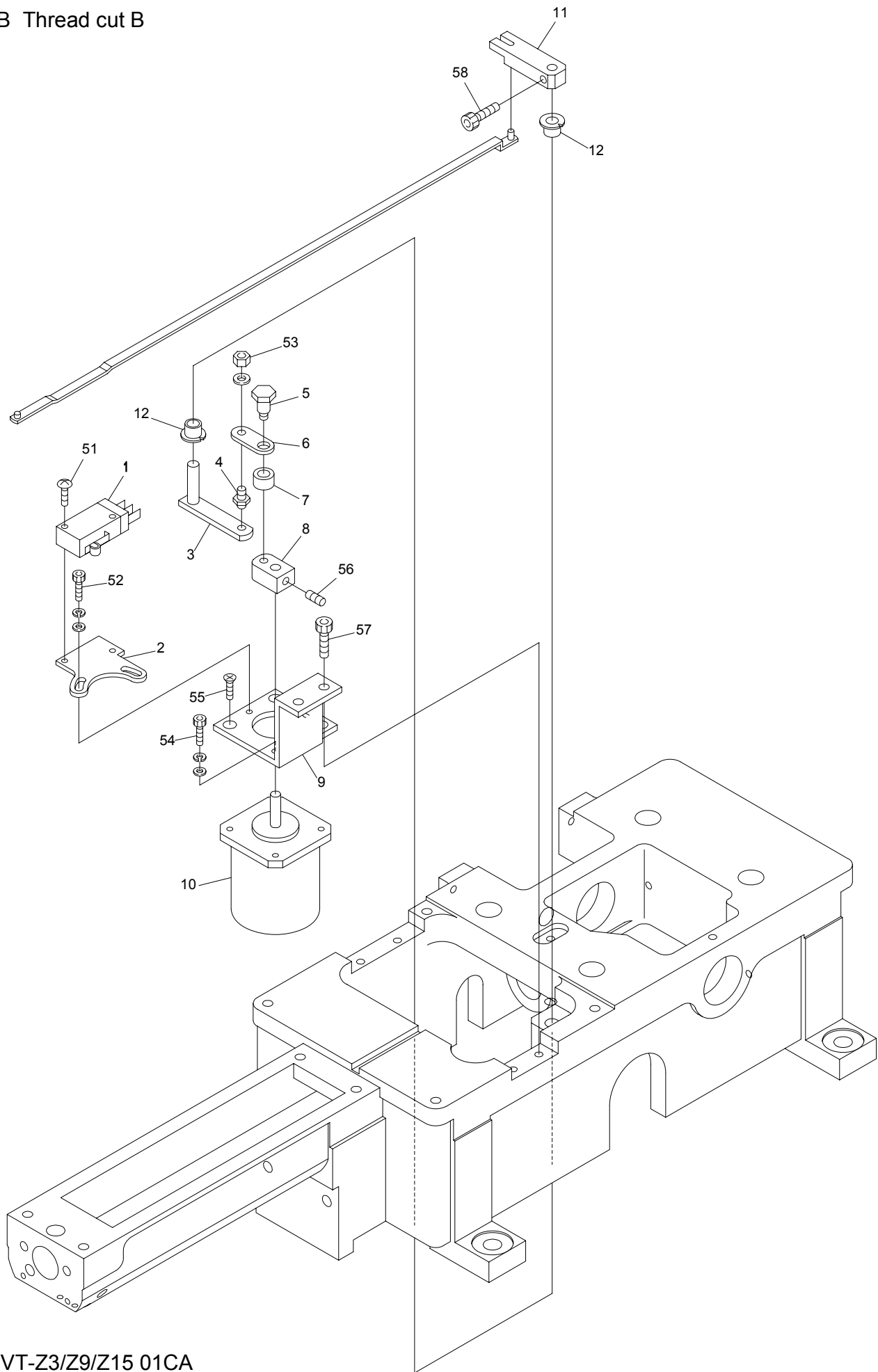
BEVT-Z3/Z9/Z15 01CA

060428

01B Head· Bed B

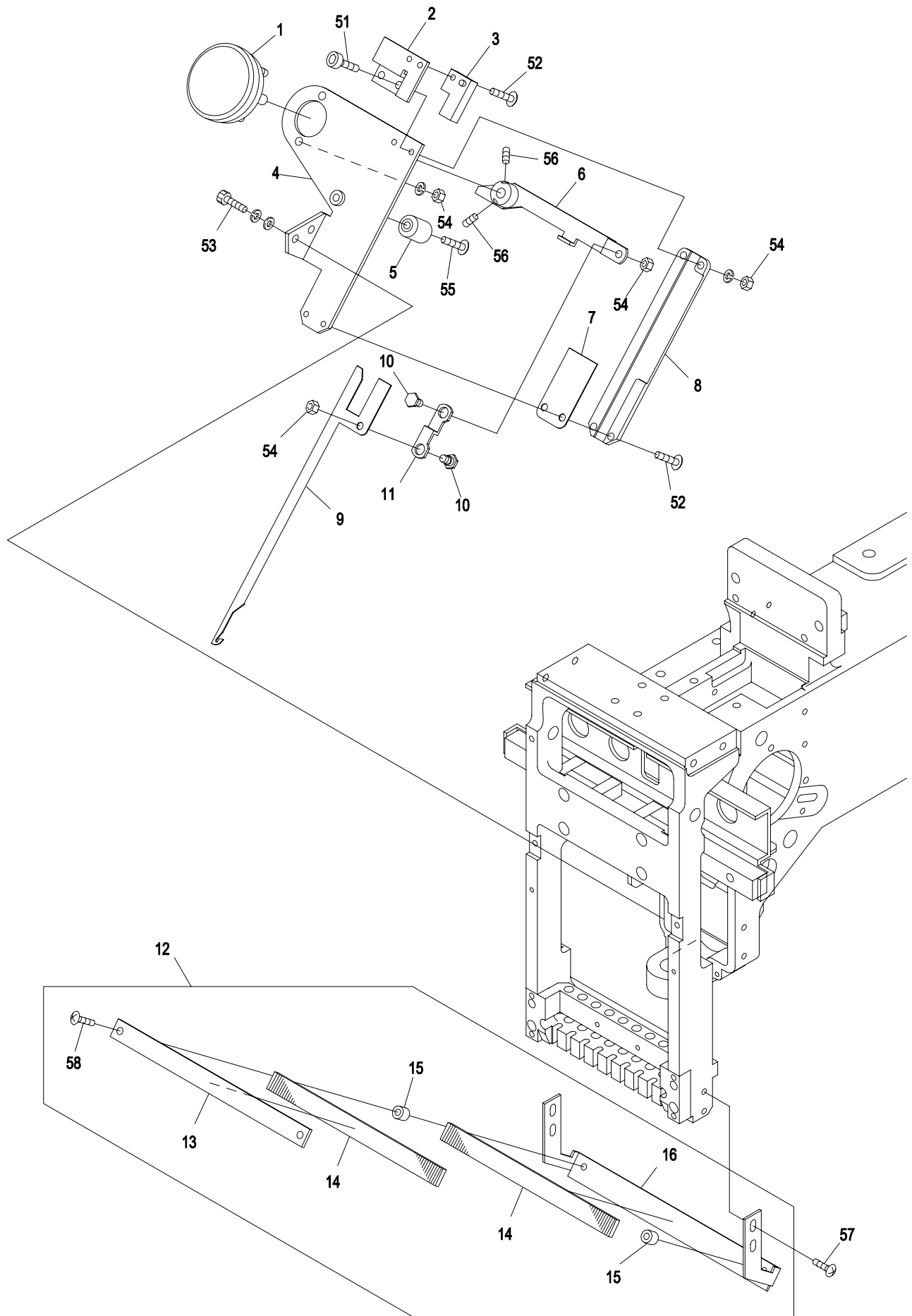
ITEM	LIST No.	DESCRIPTION	Q'TY	NOTE
1	KF221020	Arm cover	1	ZN,ZQ
2	KF220530	Timing belt(100S5M1350)	1	
3	KF220710	Idler(TPBSN 38-15)	1	
4	KF220230	Metal washer(WSSB14-10-2)	1	
5	KL220140	Idler pin	2	
6	MH220000	Idler base	1	
7	MH210040	Synchronous idler pulley	1	
8	KC250482	SP-shim ring(SP-010100)	1	
9	HS210031	Arm(DT-101)	1	
10	A9012027	Encoder(With circle bracket) (TS5307N510)	1	
11	KL220120	Encoder bracket	1	
12	MH210032	Coupling(MCJ16-6-6)	1	
13	KX250080	Pulley for main shaft(P22)	8	
14	MH250000	Main shaft motor timing shaft	1	
15	LA250040	Needle bearing(TLA-2012Z)	1	
16	KF220290	Gear cover	1	
17	KL220070	Main shaft motor drive shaft(P48)	1	1 0 0 0 RPM
	HT220061	Main shaft motor drive shaft(P44)	1	1 2 0 0 RPM
18	HP220712	Rotary angle label	1	1 0 0 0 RPM
		Rotary angle label		1 2 0 0 RPM
19		Lower shaft connecting shaft collar		
20		Lower shaft connecting gear(Large gear)		
21		Thrust washer(AS2035)		
22		Point needle(1000rpm)		1 0 0 0 RPM
		Point needle(1200rpm)		1 2 0 0 RPM
23		Gear cover packing		
24		Arm cover		Z3
51		Truss screw M4×8(Black chromate)		
52		Hex.socket bolt M5×35		
53		Hex.socket set screw M5×10		
54		Hex.socket set screw M6×12		
55		Hex.socket bolt M5×60		
56		Hex.socket bolt M4×15		
57		Hex.socket bolt M4×10(With washers)		
58		Hex.socket bolt M12×35		
59		Hex.socket set screw M6×8		
60		Hex.socket set screw M5×8		
61		Nylon washer(φ4×φ9×t1)		
62		Hex.socket flange bolt M4×8		
63		Hex.socket bolt M4×12		
64		E-Ring(Φ 7)		

02B Thread cut B



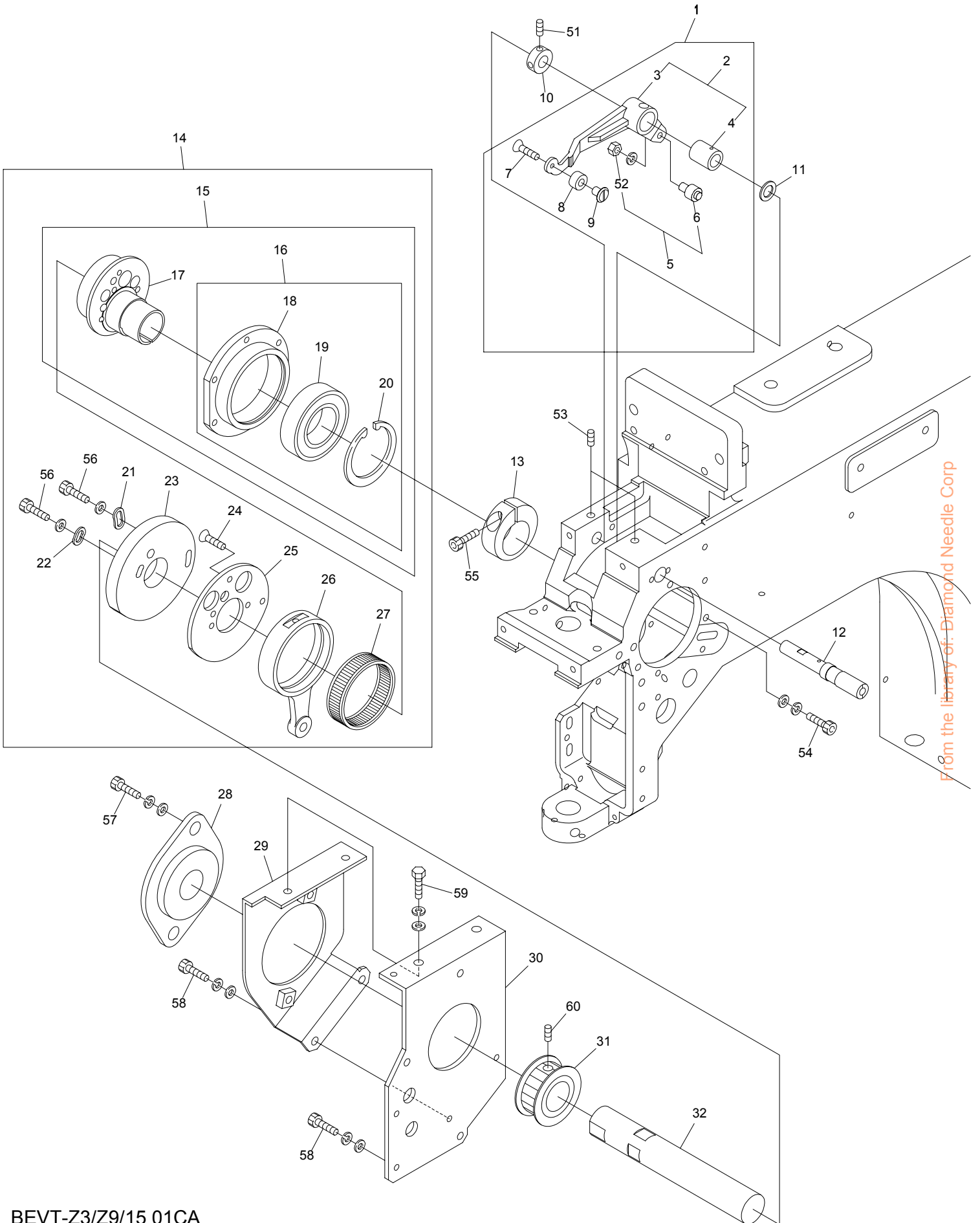
From the library of: Diamond Needle Corp

02C Thread cut C



From the library of: Diamond Needle Corp

03 Take up lever B

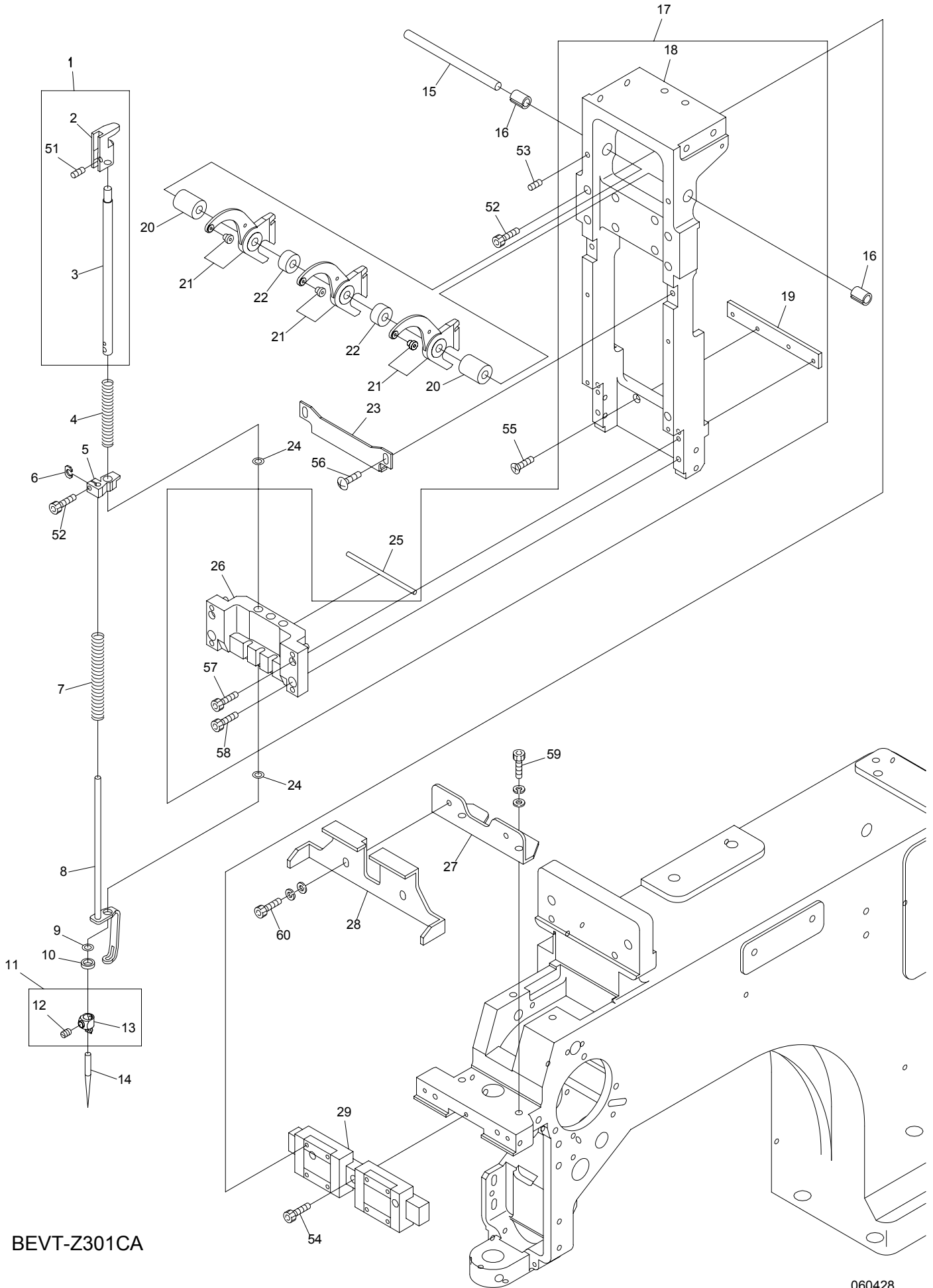


From the library of: Diamond Needle Corp

03 Take up lever

ITEM	LIST No.	DESCRIPTION	Q'TY	NOTE
1	RV230070	Take up lever driving lever a'ssy	1	1000rpm
	MK230130	Take up lever driving lever a'ssy	1	1200rpm
2	RH230801	Take up lever driving lever(Metal)	1	
3	RH230311	Take up lever driving lever	1	
4	RH230810	Take up lever metal	1	
5	KF230501	Take up lever roller a'ssy	1	
6	KF230680	Cam followers(KR×4×7.9×15-1P×1)	1	
7	HB230650	Flush screw(With adhesion)	1	
8	RV230060	Take up lever driving roller	1	1000rpm
	MK230120	Take up lever driving roller	1	1200rpm
9	RD230130	Take up lever driving roller shaft	1	
10	HB230800	Take up lever driving lever fixing pin set collar	1	
11	RH230610	Thrust washer	1	
12	RH230320	Take up lever driving lever fixing pin	1	
13	RH230330	Needle bar driving cam set collar	1	
14	MH230220	Take up lever·Needle bar drive a'ssy	1	
15	MH230080	Needle bar driving cam a'ssy	1	
16	RN230030	Bearing case a'ssy	1	
17	MH230090	Needle bar driving cam with groove	1	
18	RN230040	Bearing case	1	
19	A9010073	Ball bearing(6005ZZ)	1	
20	A9012421	C-ring for hole φ47	1	
21	HB230080	Washer for cam(2)	1	
22	HB230070	Washer for cam(1)	1	
23	RR230240	Take up lever cam H6S φ20	1	
24	HB230620	Flush screw	3	
25	RH230300	Take up lever cam base	1	
26	RH230280	Needle bar crank rod	1	
27	RH230271	Needle bearing	1	
28	A9011251	Frang unit(SBPFL 204)	1	
29	MH310110	Bearing bracket	1	
30	MH310100	Arm reinforcement bracket	1	
31	MH230052	Needle bar driving pulley	1	
32	MH230061	Upper shaft	1	
51		Hex.socket set screw M4×4(With adhesion)		
52		Hex.nut M4(With spring washer)		
53		Hex.socket set screw M5×5		
54		Hex.socket bolt M4×15(With washers)		
55		Hex.socket bolt M5×18		
56		Hex.socket bolt M4×8		
57		Hex.socket bolt M5×20		
58		Hex.socket bolt M4×10		
59		Hex.bolt M5×12		
60		Hex.socket set screw M6×6		

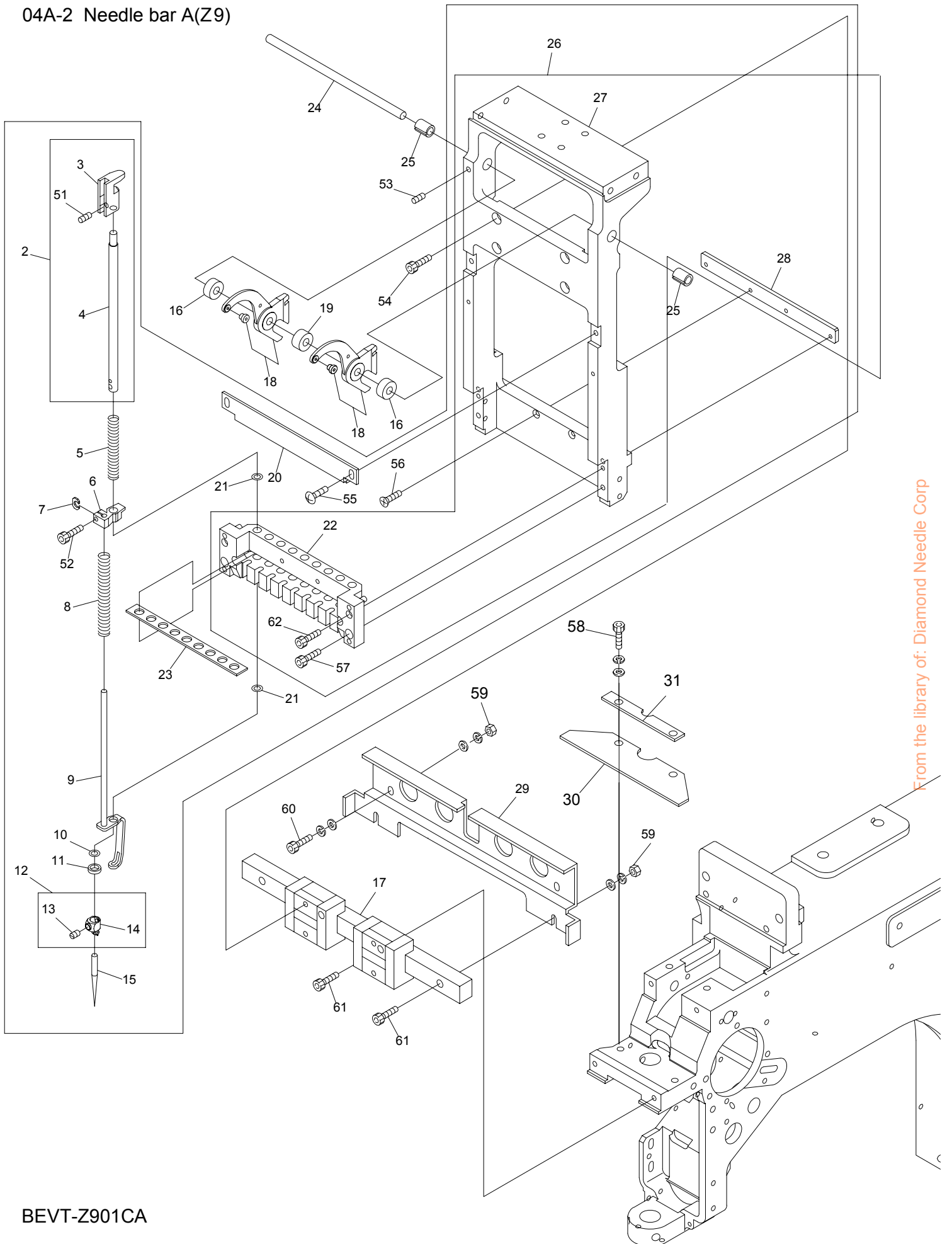
04A-1 Needle bar A(Z3)



BEVT-Z301CA

060428

04A-2 Needle bar A(Z9)

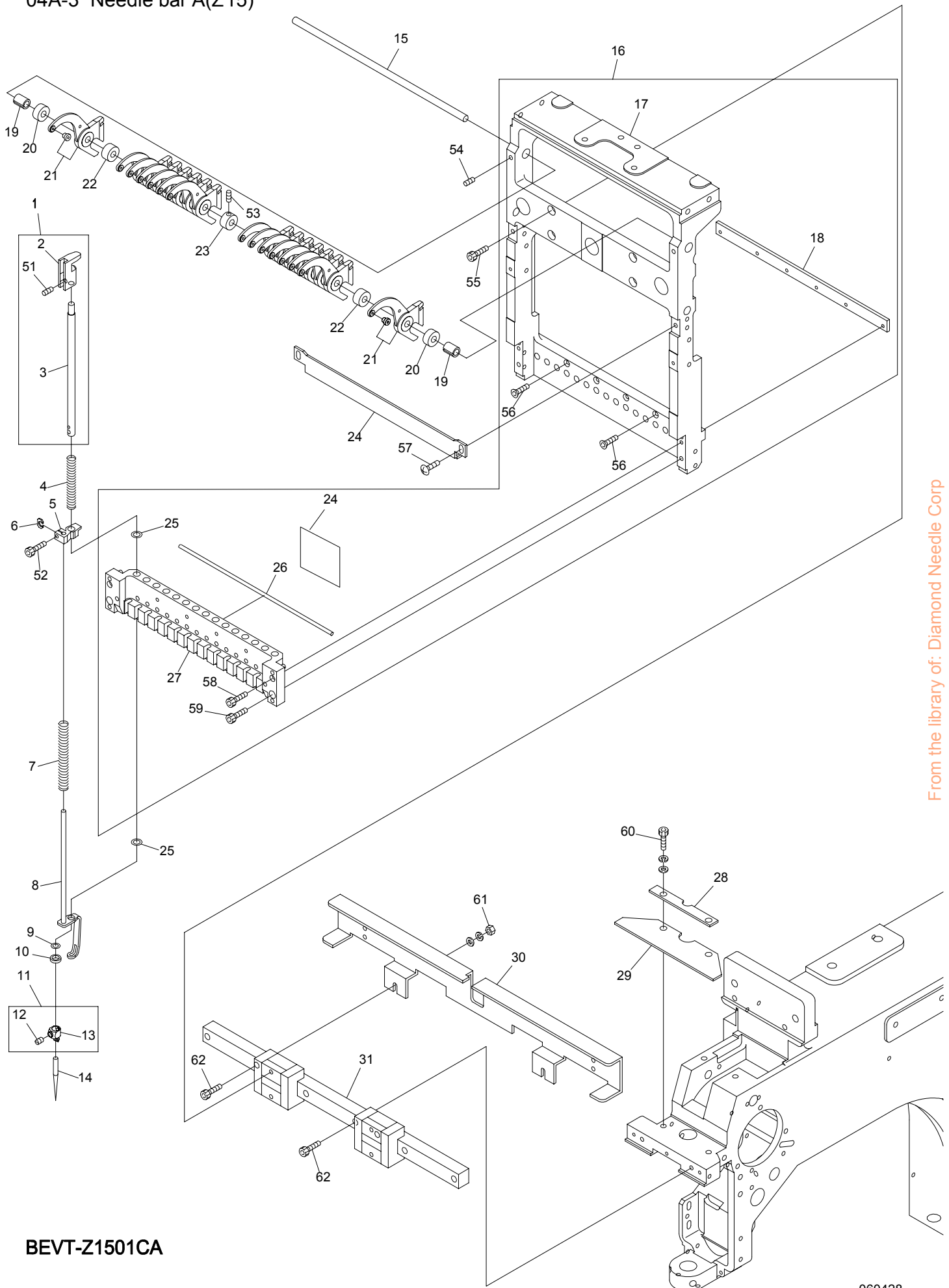


From the library of: Diamond Needle Corp

04A-2 Needle bar A(Z9)

ITEM	LIST No.	DESCRIPTION	Q'TY	NOTE
1				
2	RD230480	Needle bar a'ssy	9	
3	RD230490	Needle bar guide	9	
4	RH230410	Needle bar	9	
5	HT230251	Needle bar spring(Upper)	9	
6	HT230330	Cloth hold set clamp	9	
7	HT230263	Washer for set clamp	9	
8	SG230220	Needle bar spring lower	9	
9	RD230370	Cloth hold(ZQ4)	9	
10	KF230910	O-ring(AN6227-5)	9	
11	HT230120	Washer 2.4	9	
12	RH230440	Needle clamp(With hook,set screw)	9	
13	RH230460	Needle clamp screw	9	
14	RH230450	Needle clamp(With hook)	9	
15	FN070011Q1	Needle(DBXK5Q1-NY11)	9	
16	SG230230	Take up lever spacer(t=6.1)	2	1000rpm
	MK230050	Take up lever washer	3	1200rpm
17	A9011248	LM-guide(SSR15XV2UUE+220LYF)	1	
18	KX230152	Take up lever(ZN multi)	9	1000rpm
	MK230040	Take up lever	9	1200rpm
19	KX230141	Take up lever spacer	8	
20	MH230110	Needle bar stocker(DT-ZN)	1	
21	A9014167	O-ring SS065	1 8	
22	MH230031	Needle bar base(DT-ZN)	1	
23	MH230100	Needle bar felt(DT-ZN)	1	
24	MH230040	Take up lever shaft (DT-ZN)	1	
25	SG230200	Take up lever collar(Z12)	2	1000rpm
	MK230090	Take up lever collar(14L)	2	1200rpm
26	SW230000	Slide block set	1	
27	MH230021	Slide block(DT-ZN)	1	
28	KX230040	Bearing plate	1	
29	MK230110	Take up lever stocker(DT-ZN)	1	
30	MK230010	LM support bracket	1	
31	MK230020	Holder plate	1	
51		Hex.socket double point screw M4×4		
52		Hex.socket bolt M3×8		
53		Hex.socket set screw M4×8		
54		Hex.socket bolt M4×10		
55		Hex.socket button bolt M4×8		
56		Hex.socket flush screw M3×14		
57		Hex.socket bolt M4×12		
58		Hex.socket bolt M5×15		
59		Hex.nut M4		
60		Hex.socket bolt M4×8		
61		Hex.socket bolt M4×14		
62		Hex.socket bolt M3×35		

04A-3 Needle bar A(Z15)



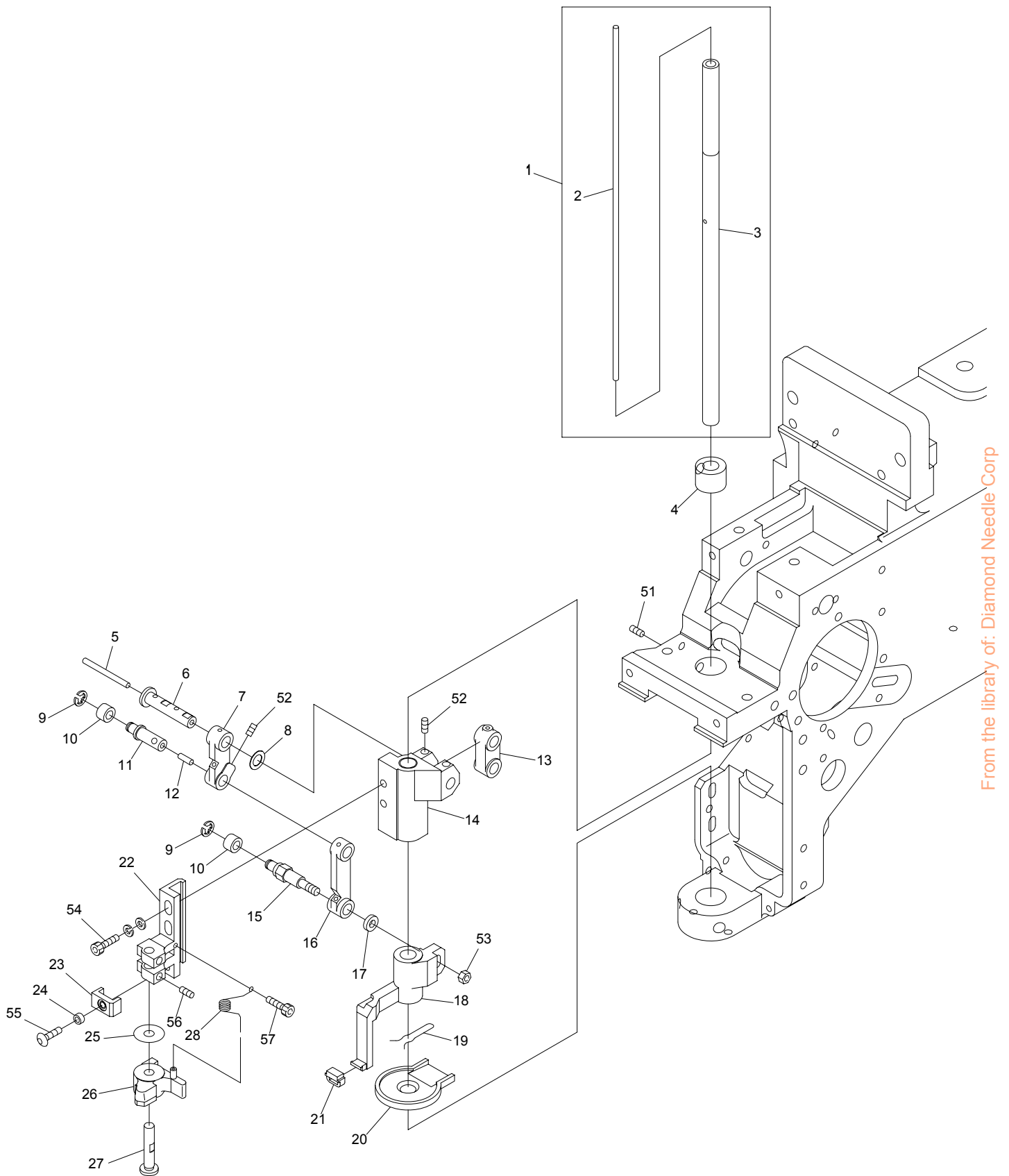
From the library of: Diamond Needle Corp

BEVT-Z1501CA

04A-3 Needle bar A(Z15)

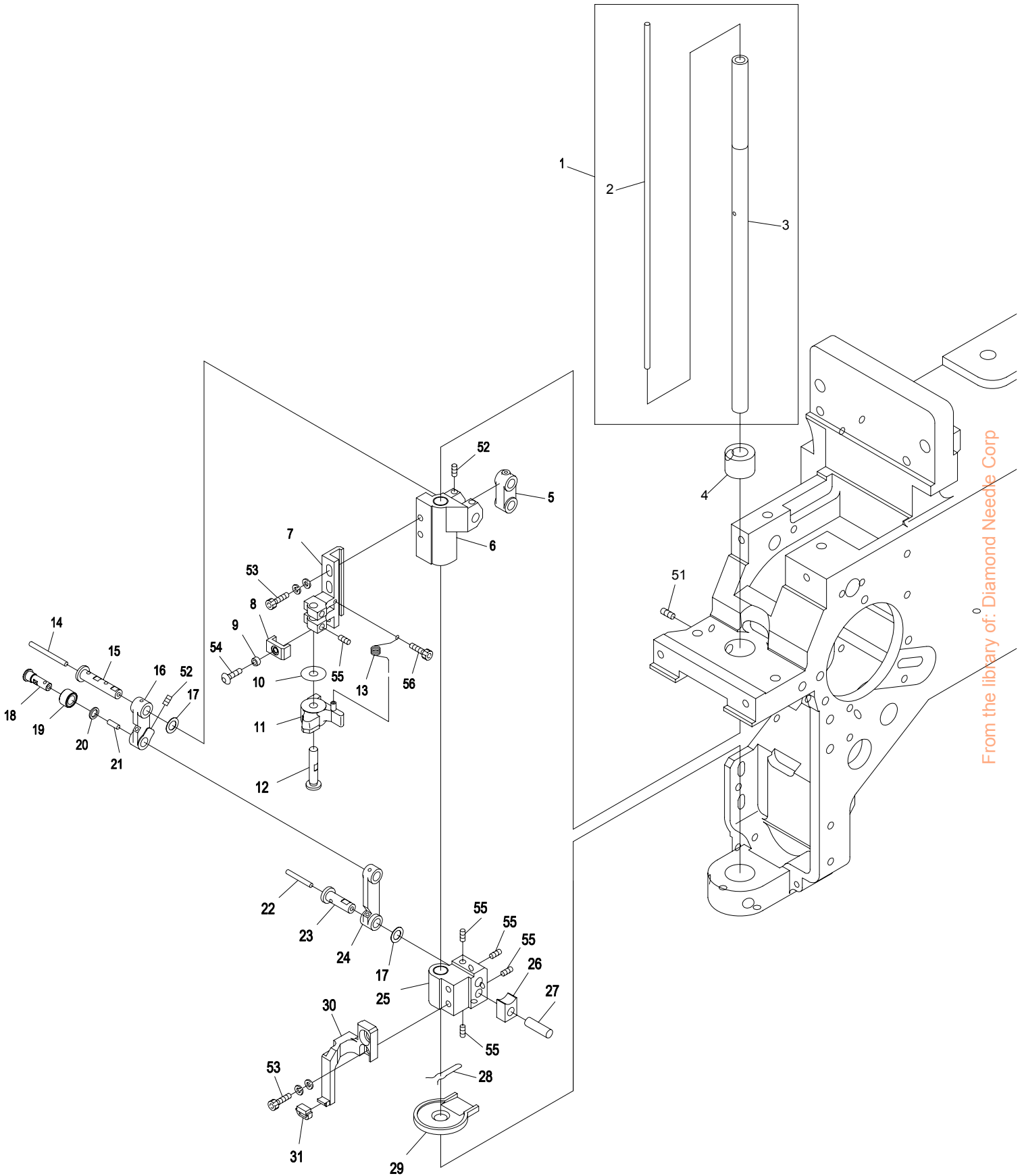
ITEM	LIST No.	DESCRIPTION	Q'TY	NOTE
1	RD230480	Needle bar a'ssy	1 5	
2	RD230490	Needle bar guide	1 5	
3	RH230410	Needle bar	1 5	
4	HT230251	Needle bar spring(Upper)	1 5	
5	HT230330	Cloth hold set clamp	1 5	
6	HT230263	Washer for set clamp	1 5	
7	SG230220	Needle bar spring lower	1 5	
8	RD230370	Cloth hold(ZQ4)	1 5	
9	KF230910	O-ring(AN6227-5)	1 5	
10	HT230120	Washer 2.4	1 5	
11	RH230440	Needle clamp(With hook,set screw)	1 5	
12	RH230460	Needle clamp screw	1 5	
13	RH230450	Needle clamp(With hook)	1 5	
14	FN070011Q1	Needle(DBXK5Q1-NY11)	1 5	
15	SL270070	Take up lever shaft(ZQ6)	1	
16	SL230001	Slide block set(ZQ6)	1	
17	SL230021	Slide block	1	
18	RD230060	Bearing plate	1	
19	SG230200	Take up lever collar(Z12)	2	
20	SG230230	Take up lever spacer(t=6.1)	2	
21	KX230152	Take up lever(ZN multi)	1 5	
22	KX230141	Take up lever spacer	1 3	
23	RD230201	Take up lever spacer collar	1	
24	SL230040	Needle bar stocker(ZQ6)	1	
25	A9014167	O-ring SS065	3 0	
26	SL230080	Needle bar feed oil string	1	
27	SL230031	Needle bar base	1	
28	MK230020	Holder plate	1	
29	MK230010	LM rail holder plate	1	
30	SL230050	Take up lever stocker(ZQ6)	1	
31	SL230060	LM-guide(ZQ6)	1	
32	SL230090	Slide block sim	1	
51		Hex.socket double point screw M4×4		
52		Hex.socket bolt M3×8		
53		Hex.socket set screw M4×4		
54		Hex.socket set screw M4×8		
55		Hex.socket bolt M4×10		
56		Hex.socket flush screw M3×14		
57		Truss screw M4×8		
58		Hex.socket bolt M3×35		
59		Hex.socket bolt M4×12		
60		Hex.socket bolt M5×15(With washers)		
61		Hex.nut M4(With washers)		
62		Hex.socket bolt M4×14		
63		Hex.socket bolt M3×25		

04B-1 Needle bar B



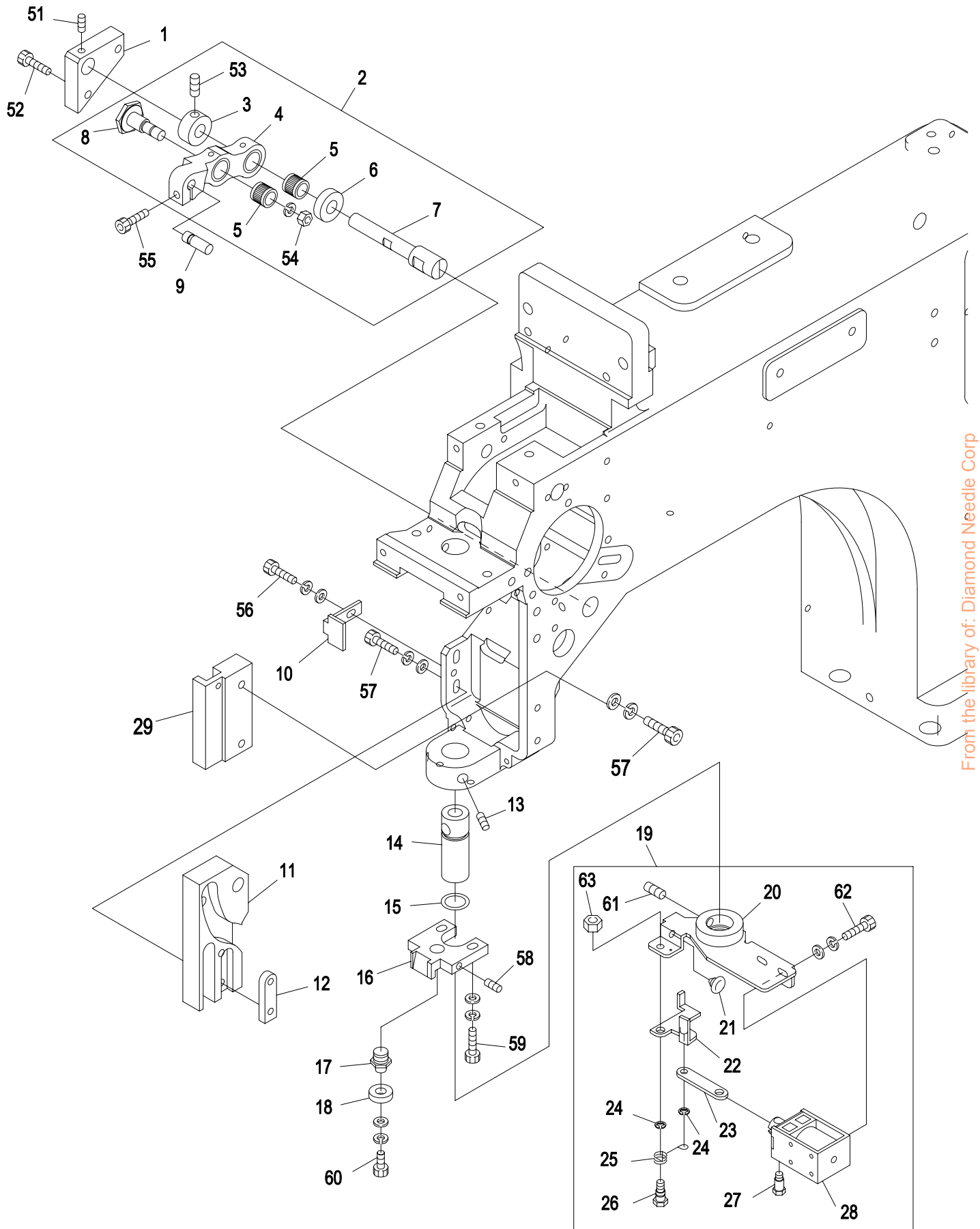
BEVT-Z3/Z9/15 01CA

04B-2 Needle bar B



From the library of: Diamond Needle Corp

04C Needle bar C

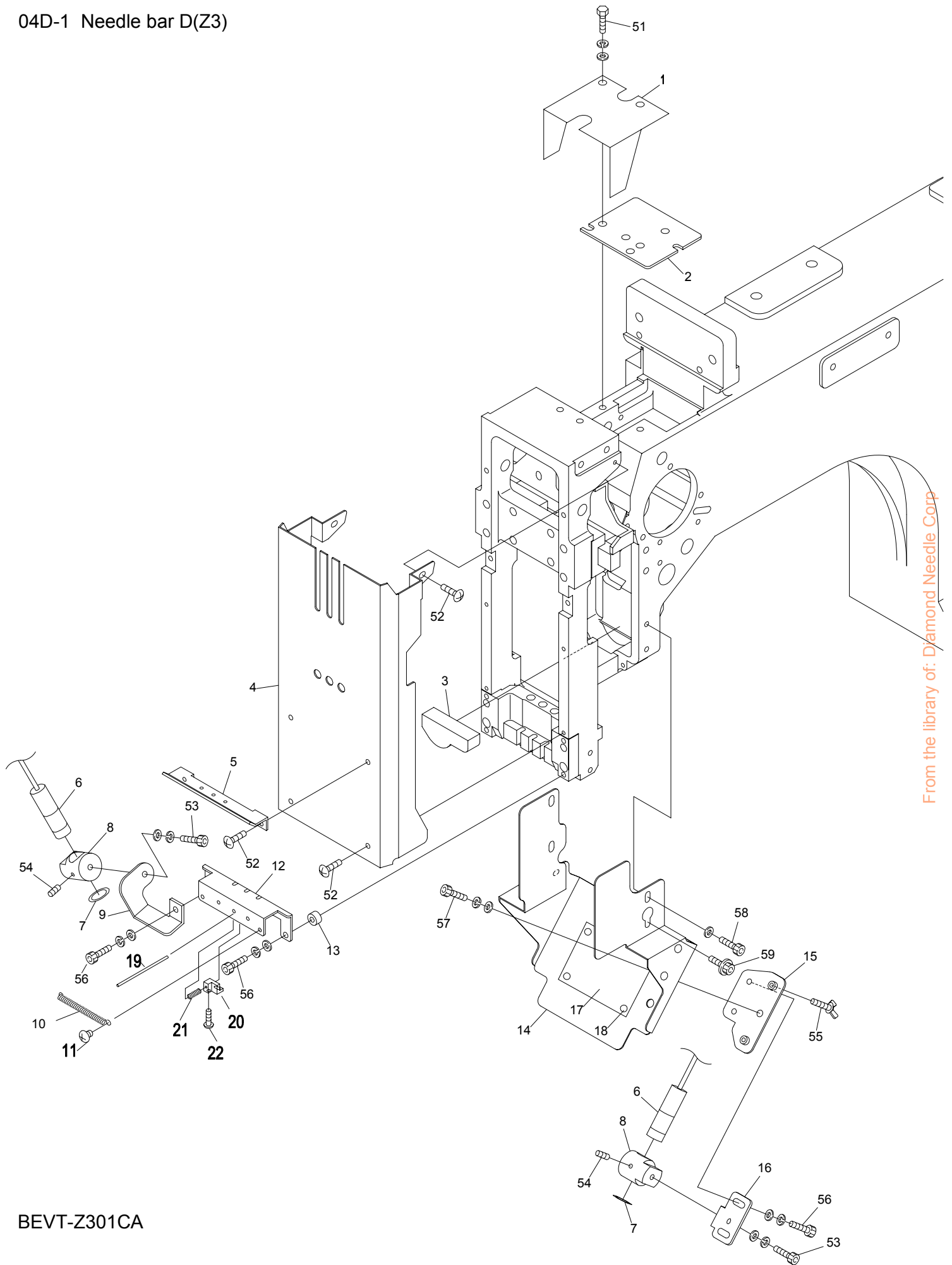


From the library of: Diamond Needle Corp

04C Needle bar C

ITEM	LIST No.	DESCRIPTION	Q'TY	NOTE
1	MH230150	Lever pin block(515 white)	1	
2	RR230090	Needle bar driving lever set(P25.65)	1	
3	HB230271	Needle bar driving lever fixing pin set collar	1	
4	RR230080	Needle bar driving lever(P25.65)	1	
5	HB230361	Needle roller with retainer(KV8×11×10SV2)	2	
6	HB230281	Needle bar driving lever fixing pin collar	1	
7	HT230410	Needle bar driving lever fixing pin	1	
8	HB230261	Needle bar driving lever connecting pin	1	
9	HB230220	Needle bar driving lever pin(B)	1	
10	SG230270	Cam guide plate	1	1000RPM
11	SG230210	Cloth hold cam(K3)	1	
12	MK230080	Cam tap plate	1	
13	A9012053	Hex.socket set screw (With steel ball) M6x0.7x8	1	
14	LA230080	Slide shaft bush (Lower)	1	
15	A9019037	O-ring (Bush under S12.5 NOK)	1	
16	LA230140	Bearing guide	1	
17	SG230300	Bearing pin	1	
18	A9010065	Ball bearing 686zz	1	
19	MM270000	Thread support a'ssy(24V) DTHE-ZQ	1	
20	SG270050	Thread support base	1	
21	A9014166	Plug cushion rubber TM-96-6	1	
22	SG270060	Thread support lever	1	
23	SG270070	Thread support link	1	
24	A9012127	E-ring(φ3)	2	
25	SG270120	Thread support return spring	1	
26	SG270110	Thread support lever pin screw	1	
27	KC270101	Solenoid pin	1	
28	A9056042	Keep solenoid(24V) TDS-K10SL-368	1	
29	HT230420	Guide plate	1	1200rpm
51		Hex.socket set screw M4×4(With nylon)		
52		Hex.socket bolt M4×12(With washers)		
53		Hex.socket set screw M5×5		
54		Hex.nut M6(With spring washer)		
55		Hex.socket bolt M4×14(With adhesive)		
56		Hex.socket bolt M4×8		
57		Hex.socket bolt M4×15		
58		Hex.socket set screw (Dog point)M4×12		
59		Hex.socket bolt M4×12(With washers)		
60		Hex.socket bolt M4×6(With washers)		
61		Hex.socket set screw M5×8		
62		Hex.socket bolt M3×6(With washers)		
63		Hex.nut M4		

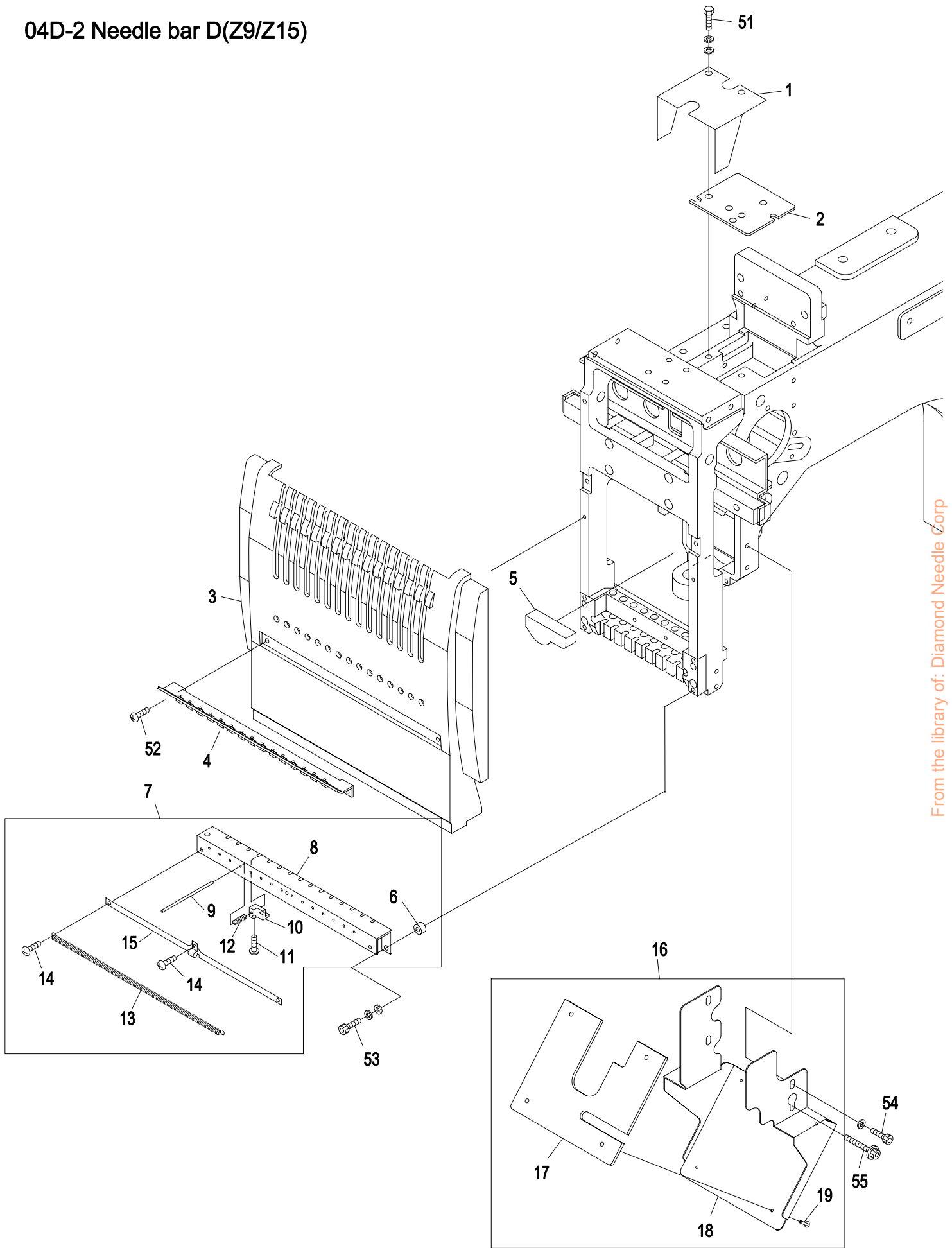
04D-1 Needle bar D(Z3)



From the library of: Diamond Needle Corp

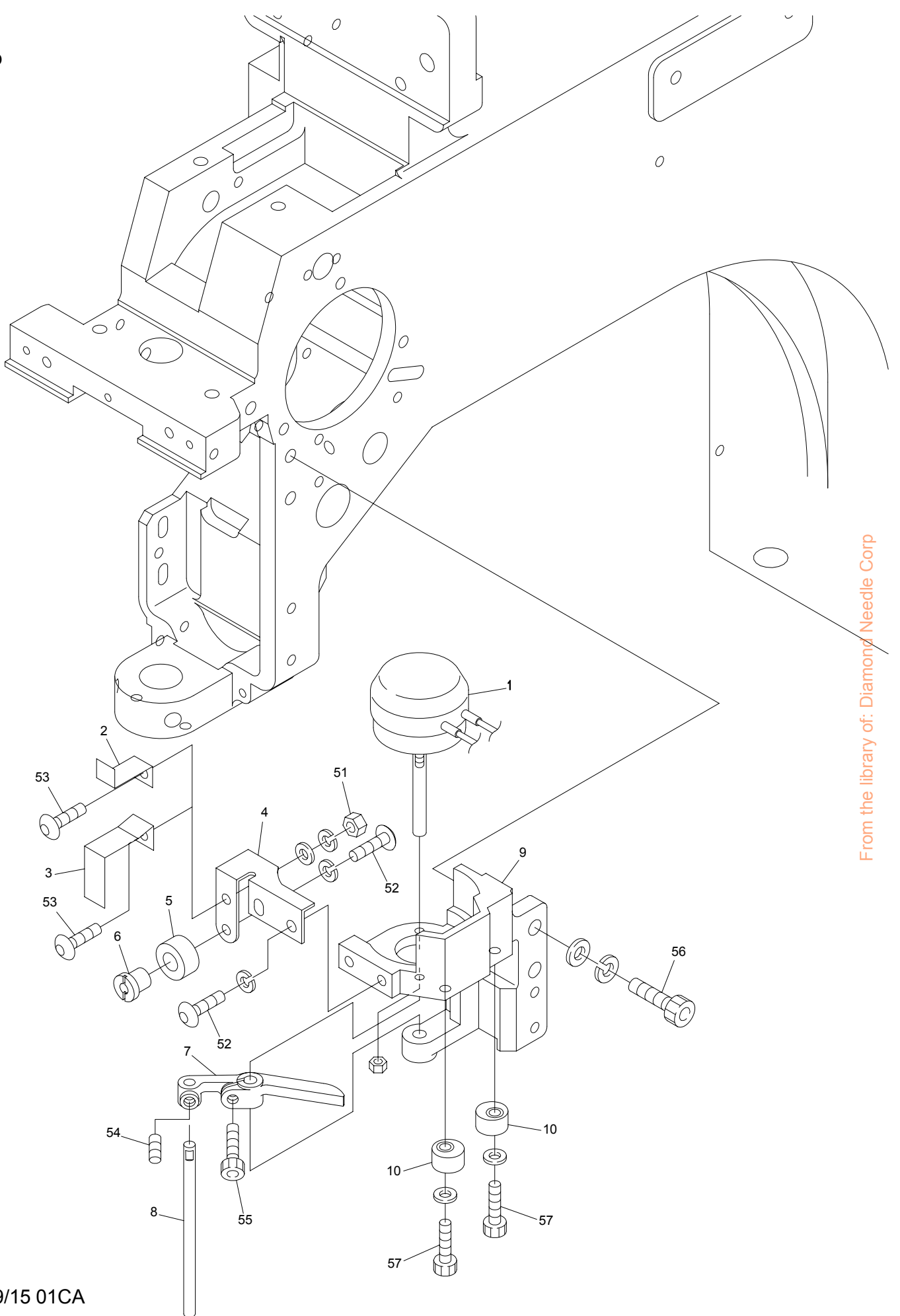
BEVT-Z301CA

04D-2 Needle bar D(Z9/Z15)



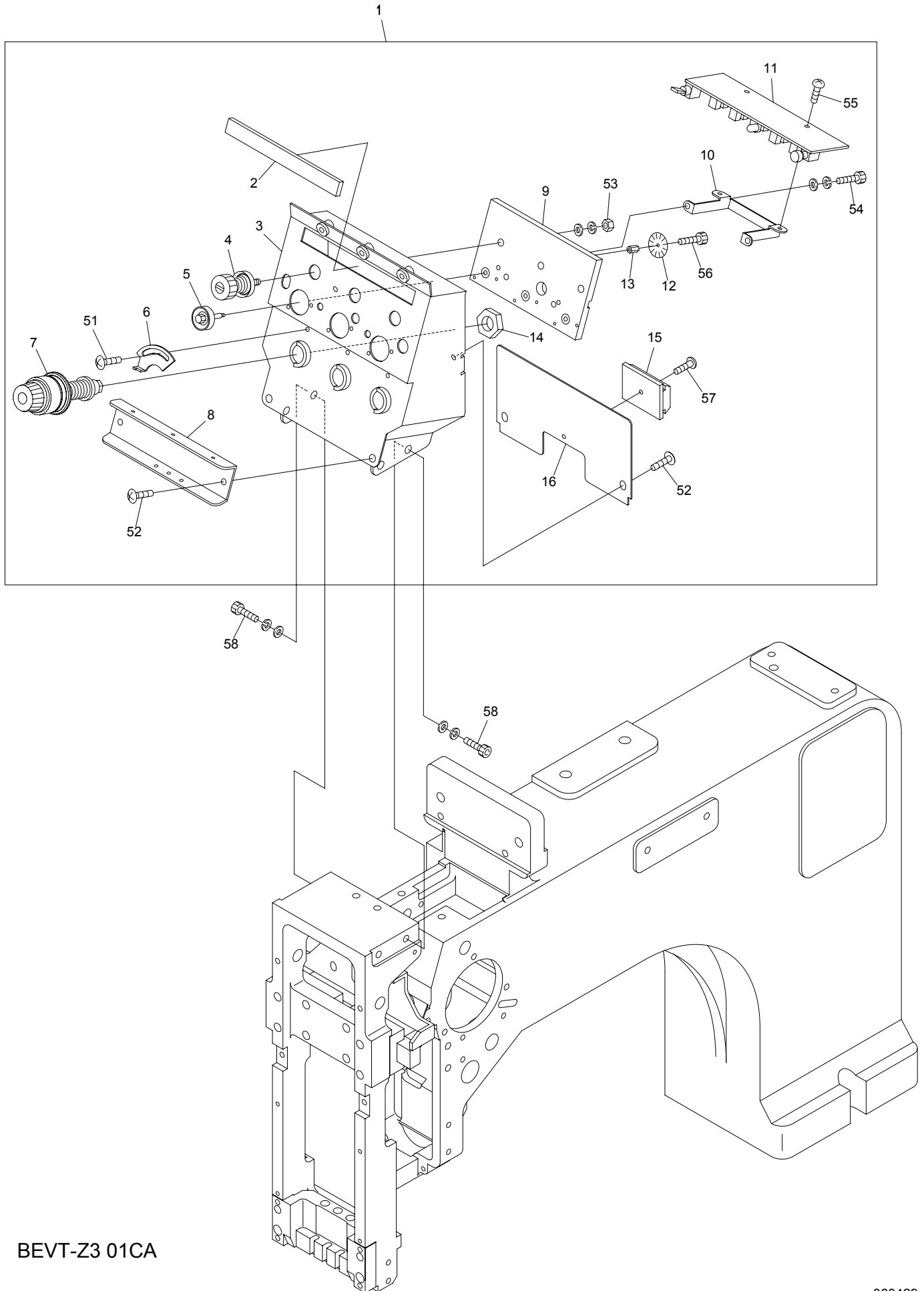
From the library of: Diamond Needle Corp

05 Jump



From the library of: Diamond Needle Corp

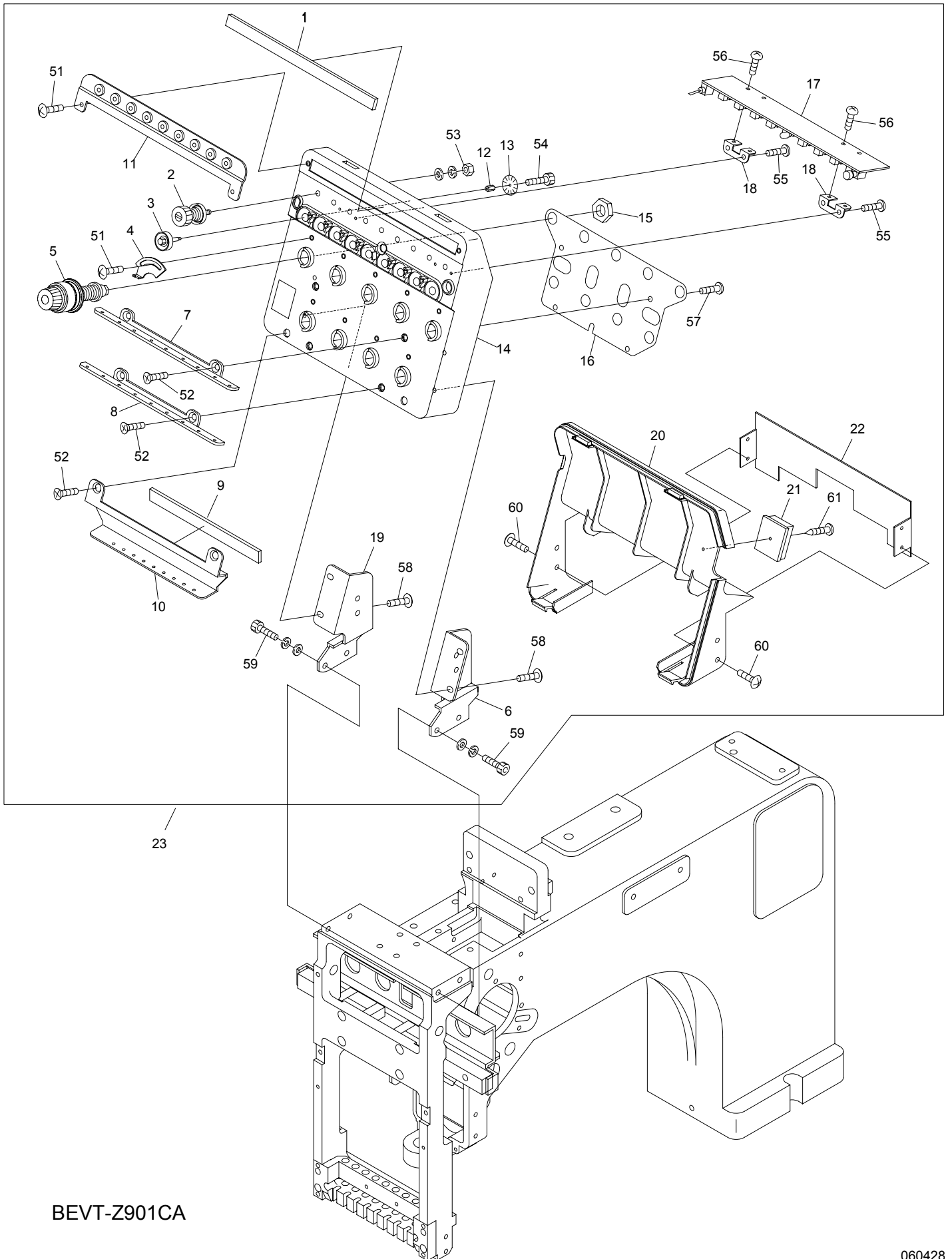
06-1 Thread guide(Z3)



From the library of: Diamond Needle Corp

BEVT-Z3 01CA

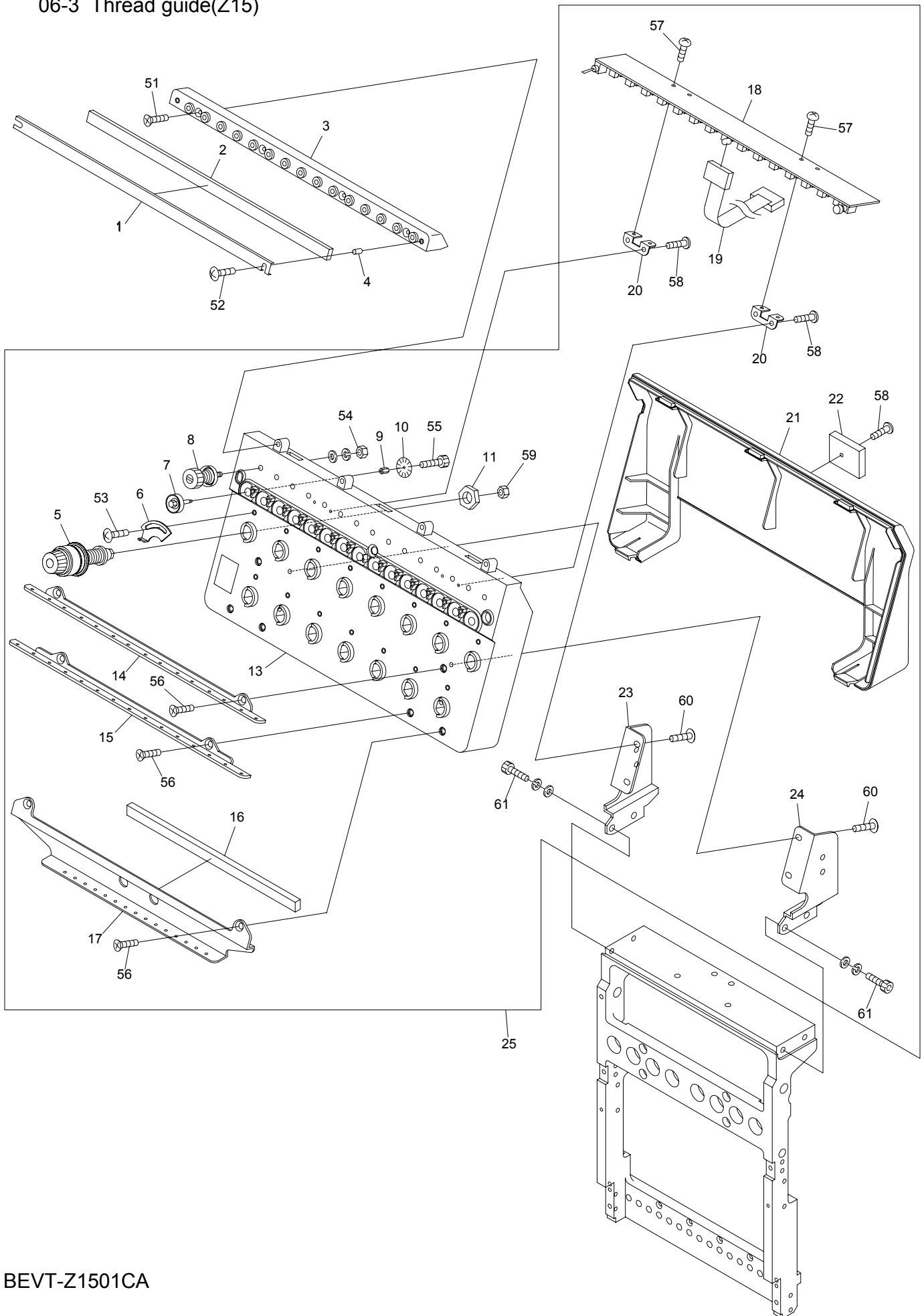
06-2 Thread guide(Z9)



From the library of: Diamond Needle Corp

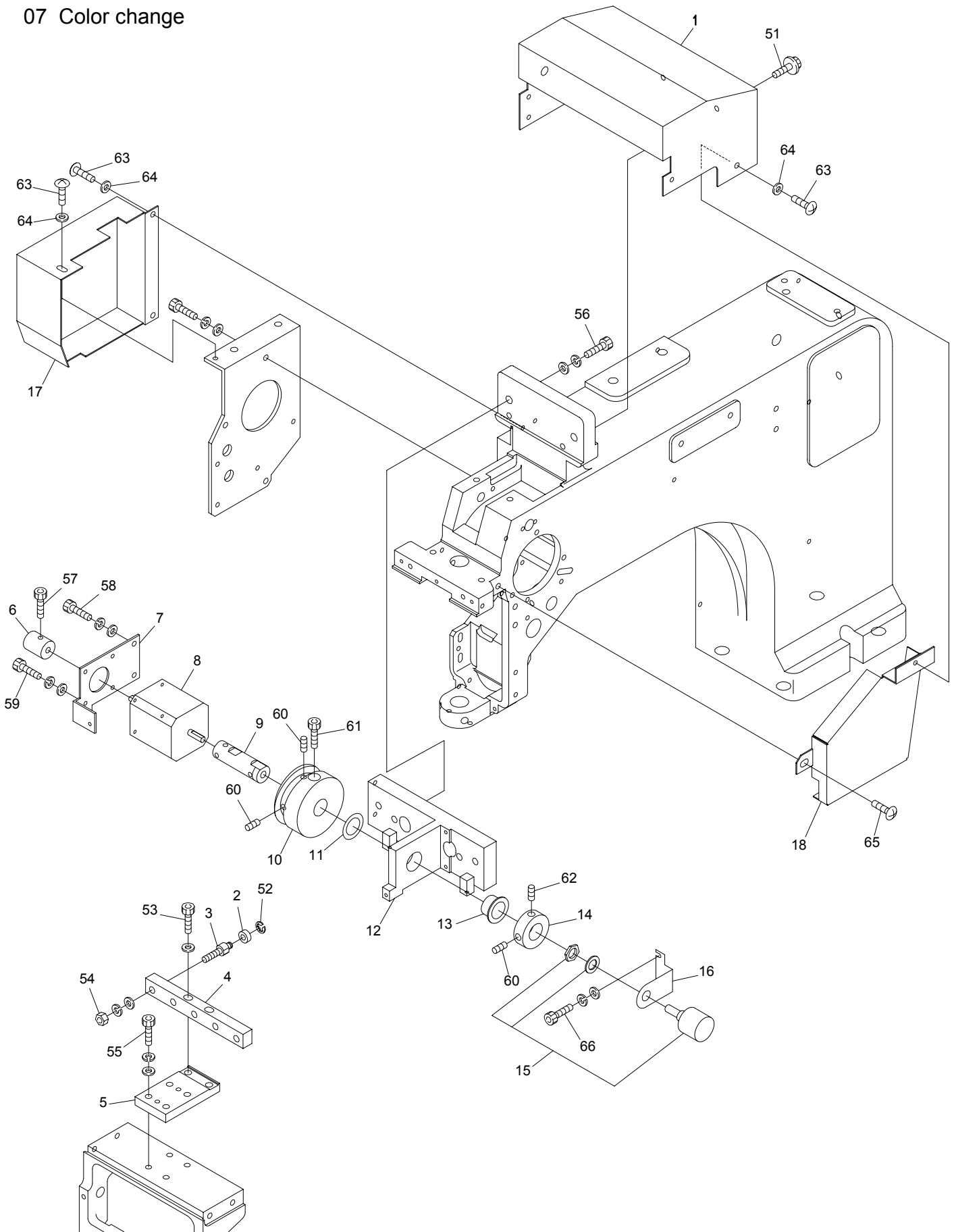
BEVT-Z901CA

06-3 Thread guide(Z15)



From the library of: Diamond Needle Corp

07 Color change



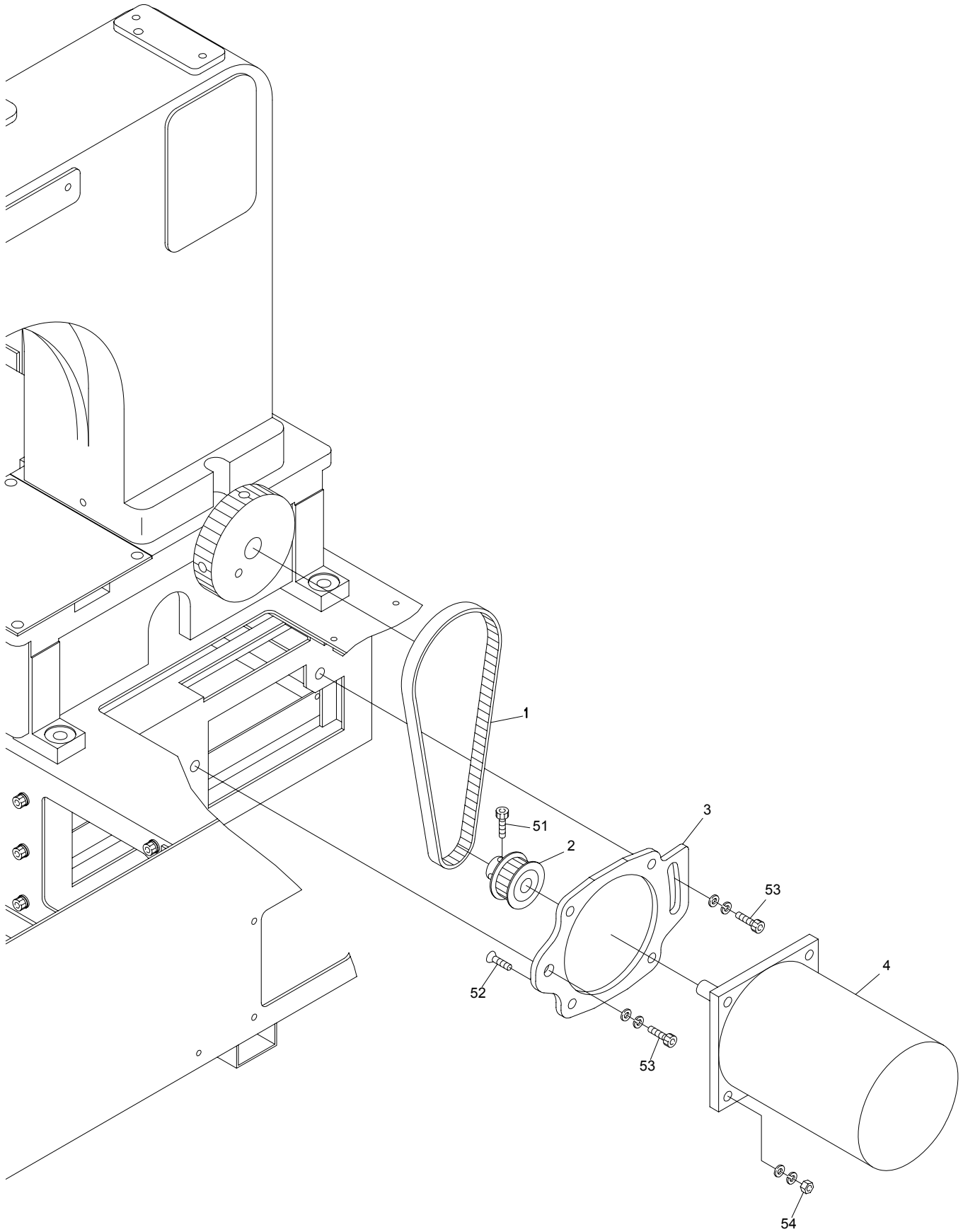
From the library of: Diamond Needle Corp

07 Color change

ITEM	LIST No.	DESCRIPTION	Q'TY	NOTE
1	MN250030	Color change cover	1	Z3
	MK250070	Color change cover	1	Z9/Z15
2	A9010063	Miniature bearing	2	Z3
			5	Z9
			8	Z15
3	KX330160	Connecting roller shaft	2	Z3
			5	Z9
			8	Z15
4	MN330010	Connecting block(Z3)	1	Z3
	MF330020	Connecting block(Z9)	1	Z9
	MG330010	Connecting block(Z15)	1	Z15
5	KX330280	Connecting base plate(Z9)	1	Z9
	MG330000	Connecting base plate(Z15)	1	Z15
6	MG330090	Manual connecting shaft	1	
7	MG330060	Color change motor bracket	1	
8	MG330110	Color change motor(TS3617N111E24)	1	
9	MG330040	Color change cam connecting shaft	1	
10	MG330030	Color change cam	1	
11	A9010109	Polyester slider(STW-FT150)	1	
12	MG330050	Color change base	1	
13	A9011241	DU bush with flange(MB1510-23FDU)	1	
14	MG330080	Color change set collar	1	
15	MF510010	Potentiometer(M-22E10-050)	1	
16	MG330070	Potentiometer fixed plate	1	
17	MH250130	Upper shaft cover(L)	1	
18	MH250020	Upper shaft cover	1	
51		Hex.socket flange bolt M4×8		
52		E-ring φ3		
53		Hex.socket bolt M6×25		Z9/Z15
54		Hex.nut M6 III		
55		Hex.socket bolt M5×18		
56		Hex.socket bolt M6×30		
57		Hex.socket bolt M4×8(With nylon)		
58		Hex.socket bolt M4×12(With washer)		
59		Hex.socket bolt M3×6(With washer)		
60		Hex.socket set screw(Flat point) M4×10		
61		Hex.socket bolt M5×16		
62		Hex.socket set screw(Cup point) M6×8		
63		Truss screw M4×8(Black chromate)		
64		Nylon washer(φ4×φ9×t1)		
65		Truss screw M5×8		
66		Hex.socket bolt M3×8(With washer)		

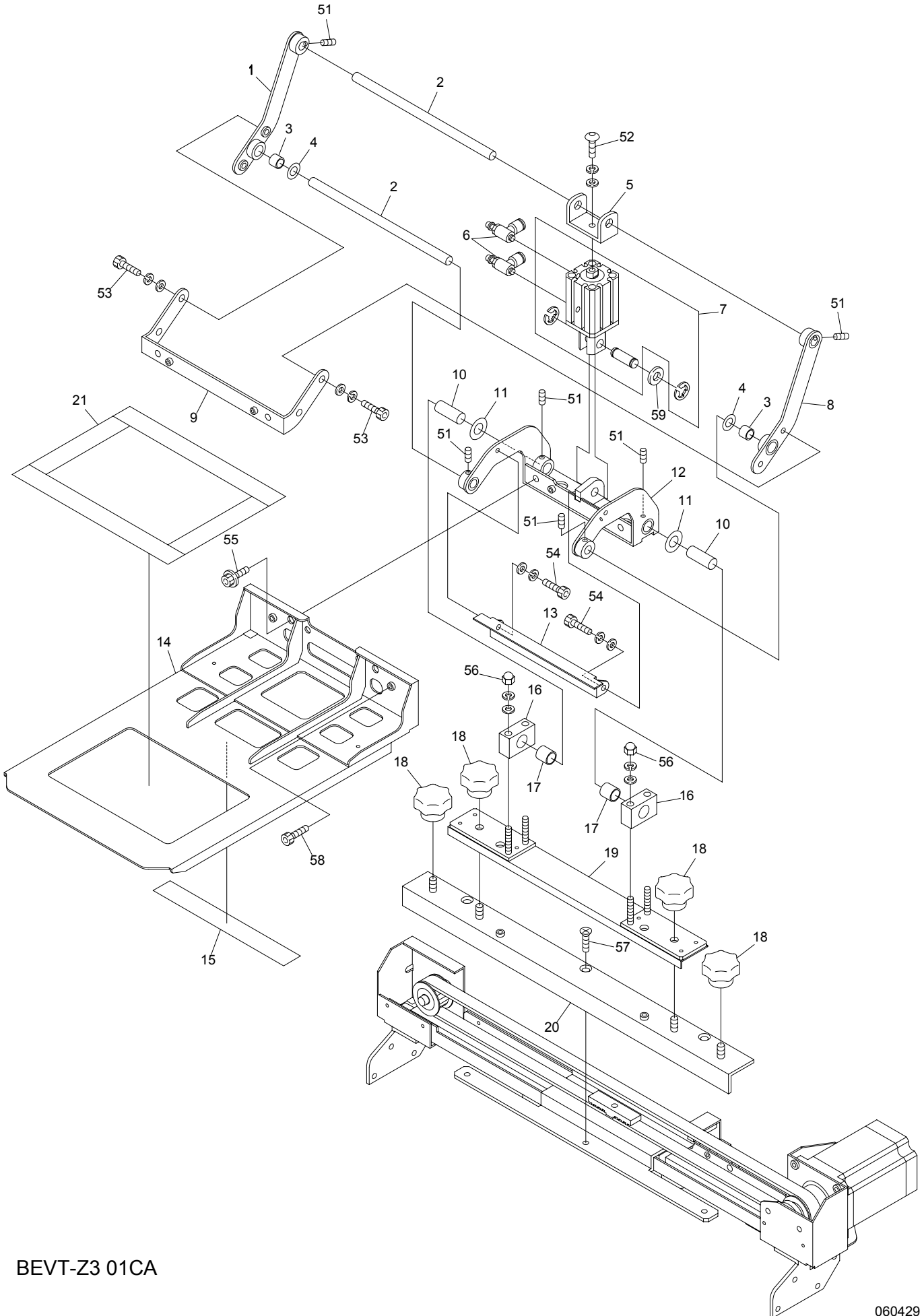
From the library of: Diamond Needle Corp

08 Drive



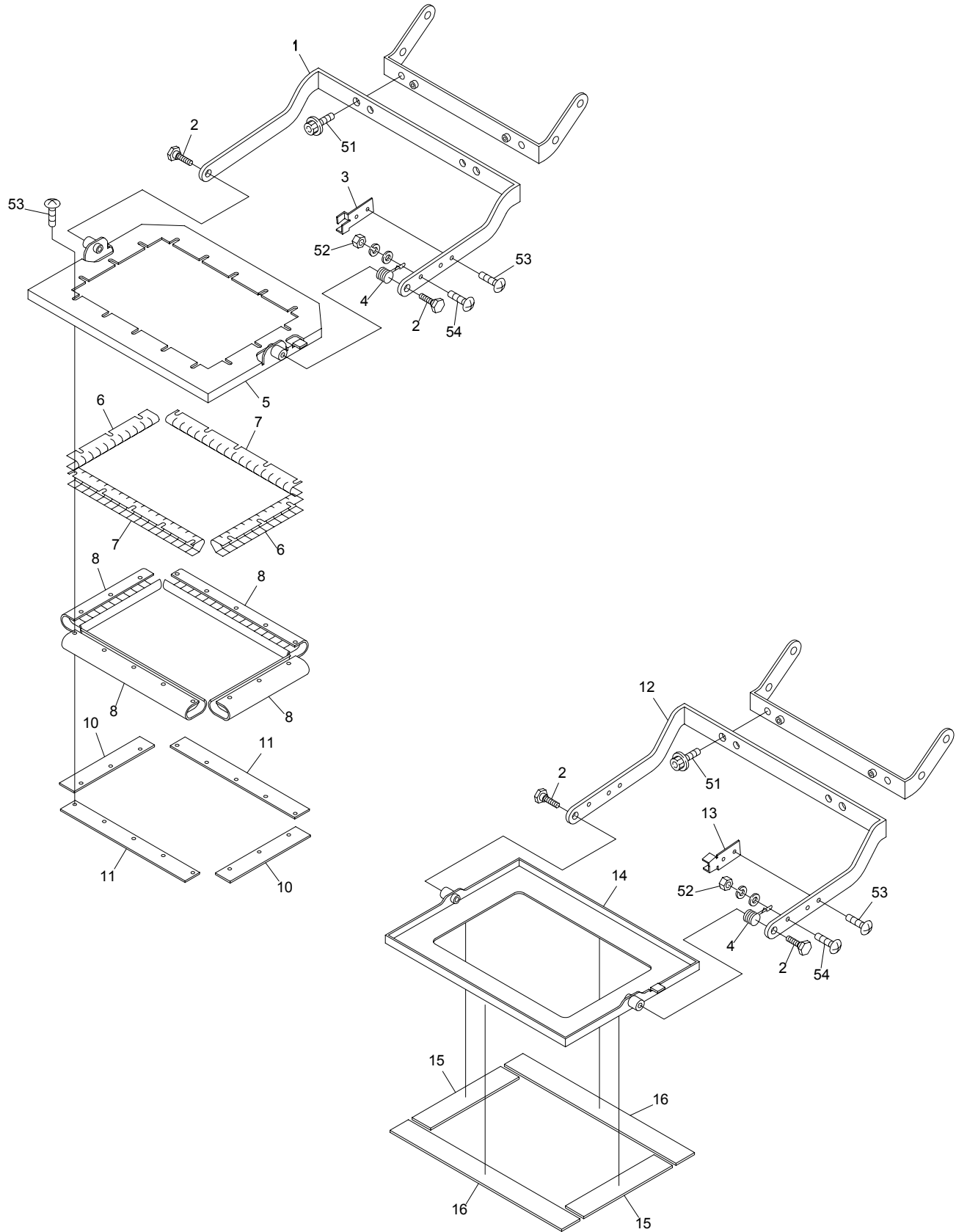
BEVT-Z3/Z9/Z15 01A

10A-1-1 Pantograph drive A (Z3)



From the library of: Diamond Needle Corp

10A-1-2 Pantograph drive A (Z3)



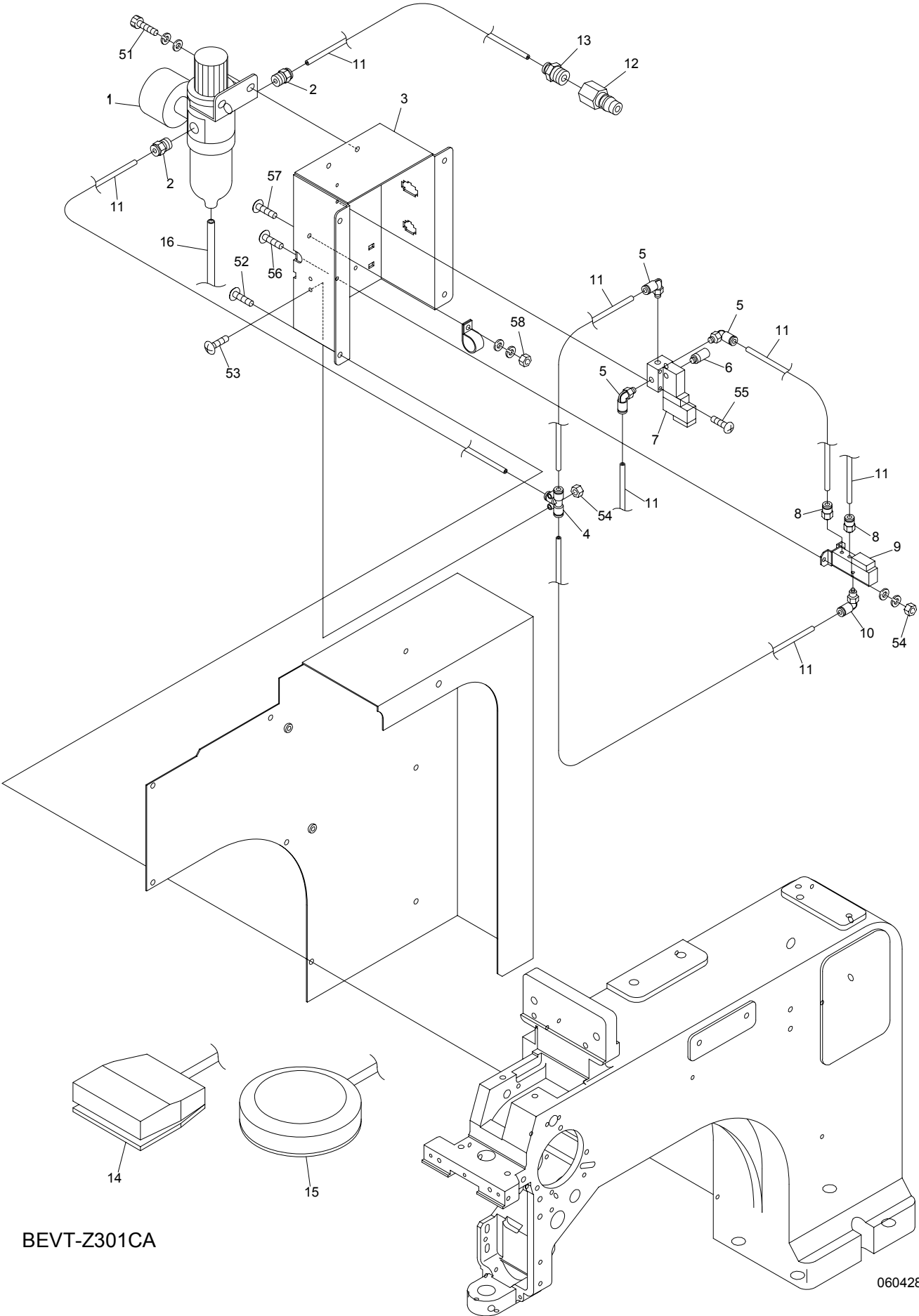
From the library of: Diamond Needle Corp

10A-1-2 Pantograph drive A(Z3)

ITEM	LIST No.	DESCRIPTION	Q'TY	NOTE
1	MN730140	Joint arm(70×110)	1	70×110
	MN730150	Joint arm(90×140)	1	90×140
	MN730160	Joint arm(120×100)	1	120×100
2	MN730230	Joint pin	1 0	
3	MN730260	Clamp upper pantograph stopper	3	
4	MN730170	Clamp pantograph twist spring	5	
5	MN730080	Clamp upper pantograph(70×110)	1	70×110
	MN730090	Clamp upper pantograph(90×140)	1	90×140
	MN730100	Clamp upper pantograph(120×100)	1	120×100
6	MN730181	Clamp pantograph leaf spring L=71	2	70×110
	MN730191	Clamp pantograph leaf spring L=87	2	90×140
	MN730211	Clamp pantograph leaf spring L=119	2	120×100
7	MN730201	Clamp pantograph leaf spring L=103	4	70×110,120×100
	MN730221	Clamp pantograph leaf spring L=135	2	90×140
8	MN730650	Clamp upper pantograph rubber(L=70)	1	
10	MN730600	Plate spring stopper L=71	2	70*110
	MN730610	Plate spring stopper L=87	2	90×140
	MN730630	Plate spring stopper L=119	2	120×100
11	MN730620	Plate spring stopper L=103	4	70×110,120×100
	MN730640	Plate spring stopper L=135	2	90×140
12	MN730380	Joint arm(For 9cm circle pantograph)	1	9cm
	MN730390	Joint arm(For 12cm circle pantograph)	1	12cm
13	MN730350	Clamp upper pantograph stopper (For circle pantograph)	1	9cm,12cm
14	MN730330	Clamp upper pantograph (For 9cm circle pantograph)	1	9cm
	MN730340	Clamp upper pantograph (For 12cm circle pantograph)	1	12cm
15	MN730400	For circle pantograph rubber(L=76)	2	9cm
	MN730410	For circle pantograph rubber(L=96)	2	12cm
16	MN730420	For circle pantograph rubber(L=156)	2	9cm
	MN730430	For circle pantograph rubber(L=186)	2	12cm
51		Hex.socket flange bolt M6×10		
52		Hex.nut(I) M3		
53		Truss screw M3×6		
54		Truss screw M3×8		

From the library of: Diamond Needle Corp

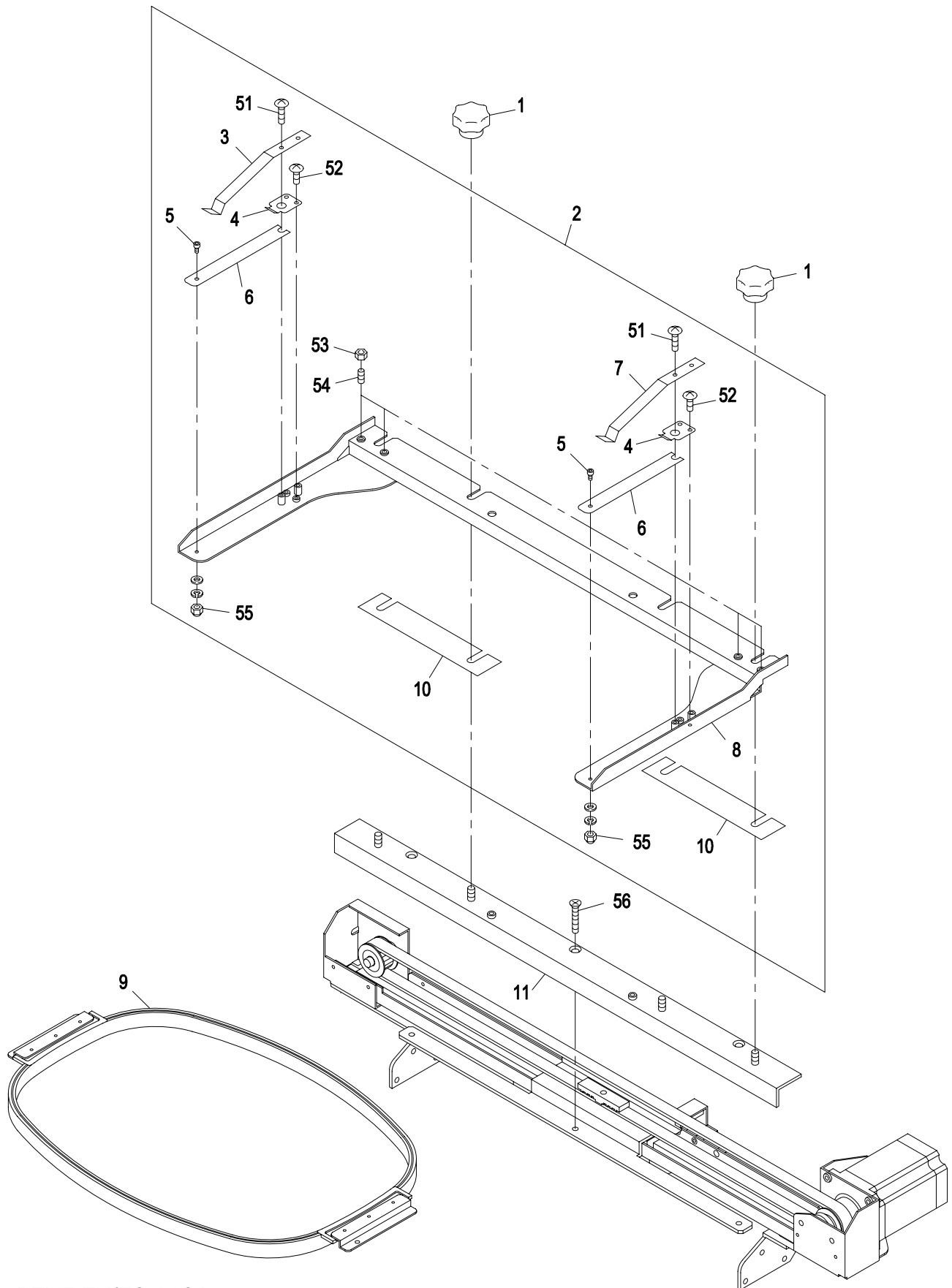
10A-1-3 Pantograph drive A (Z3)



BEVT-Z301CA

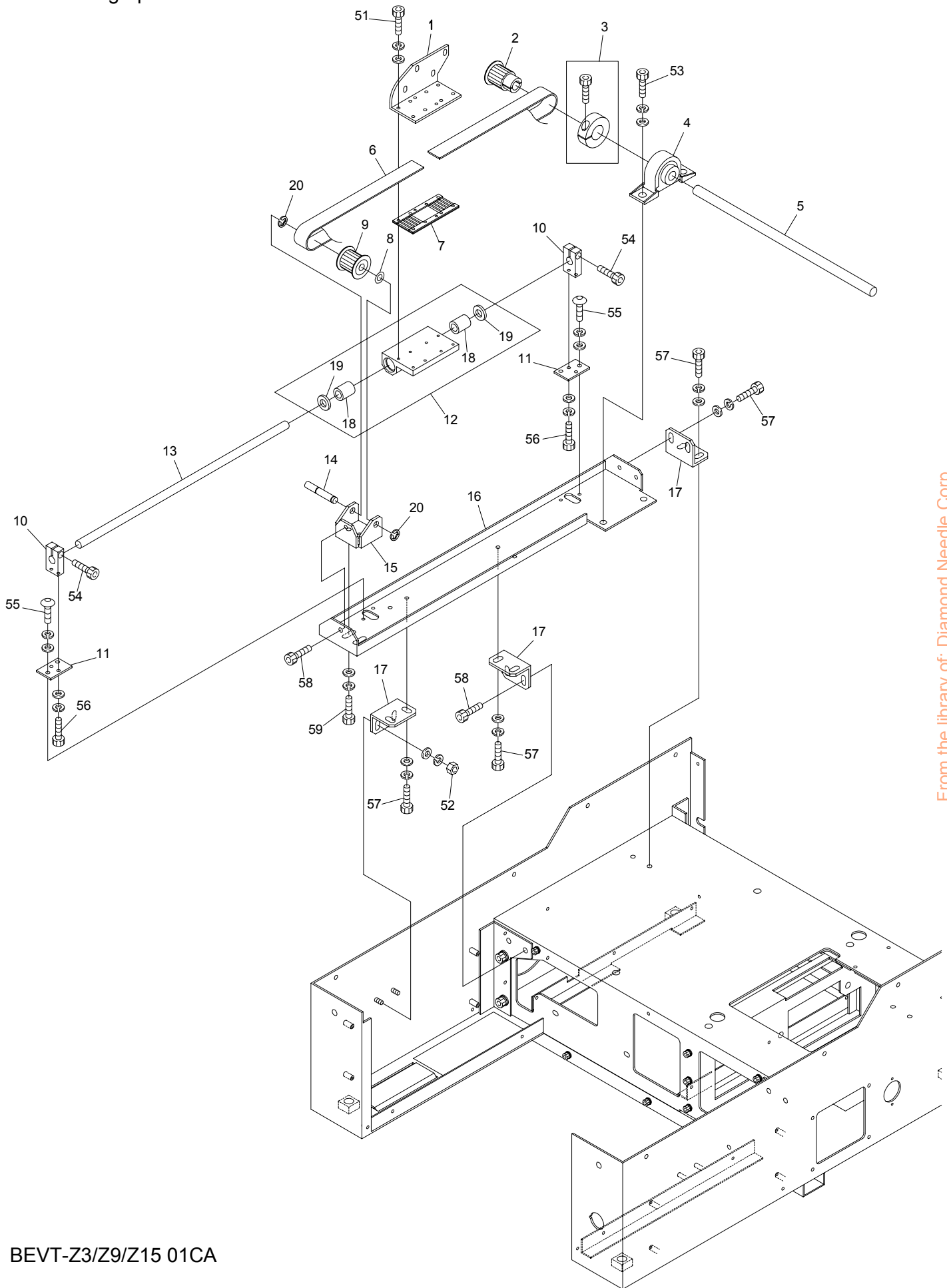
060428

10A-2 Pantograph drive A



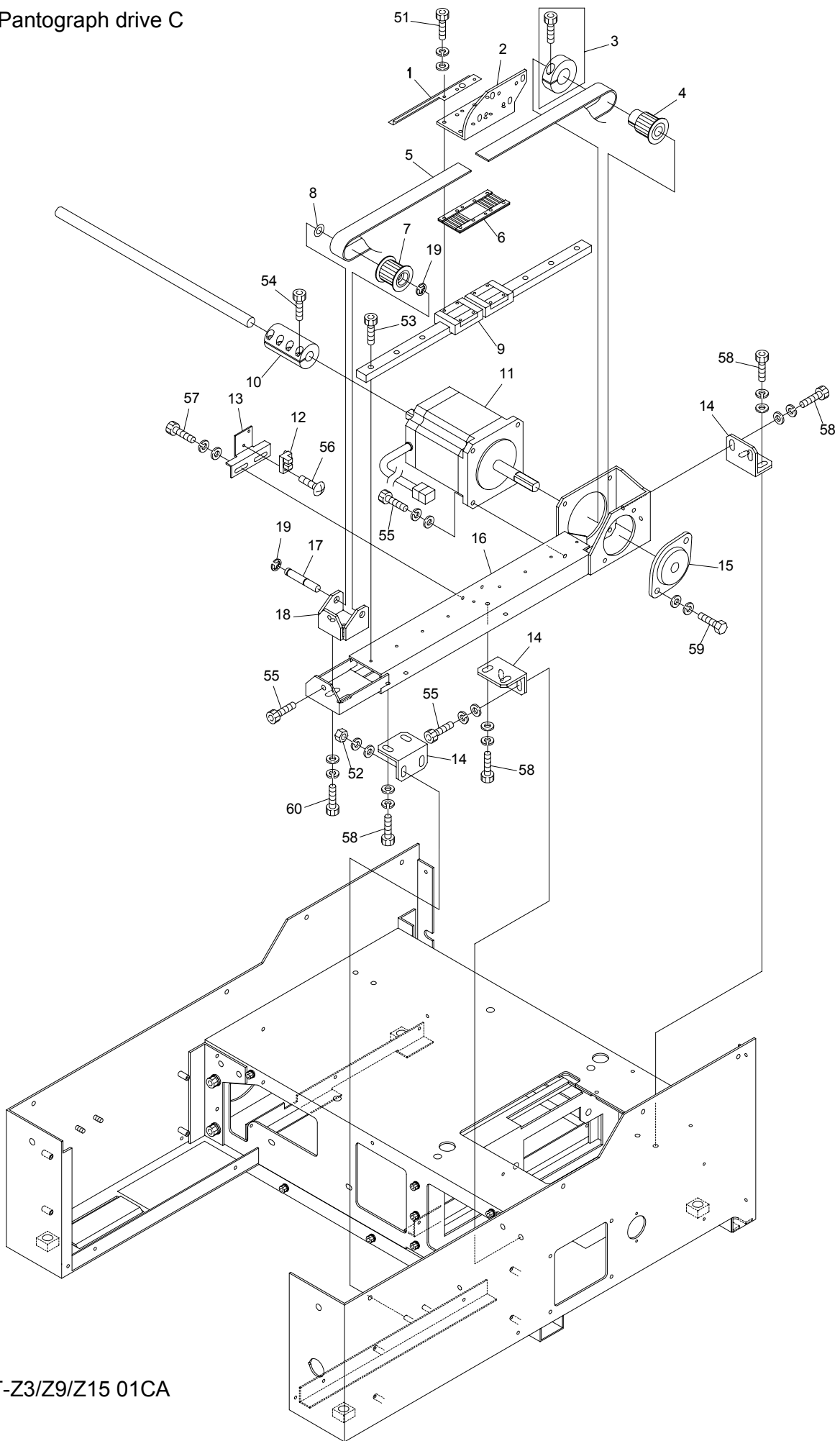
From the library of: Diamond Needle Corp

10B Pantograph drive B

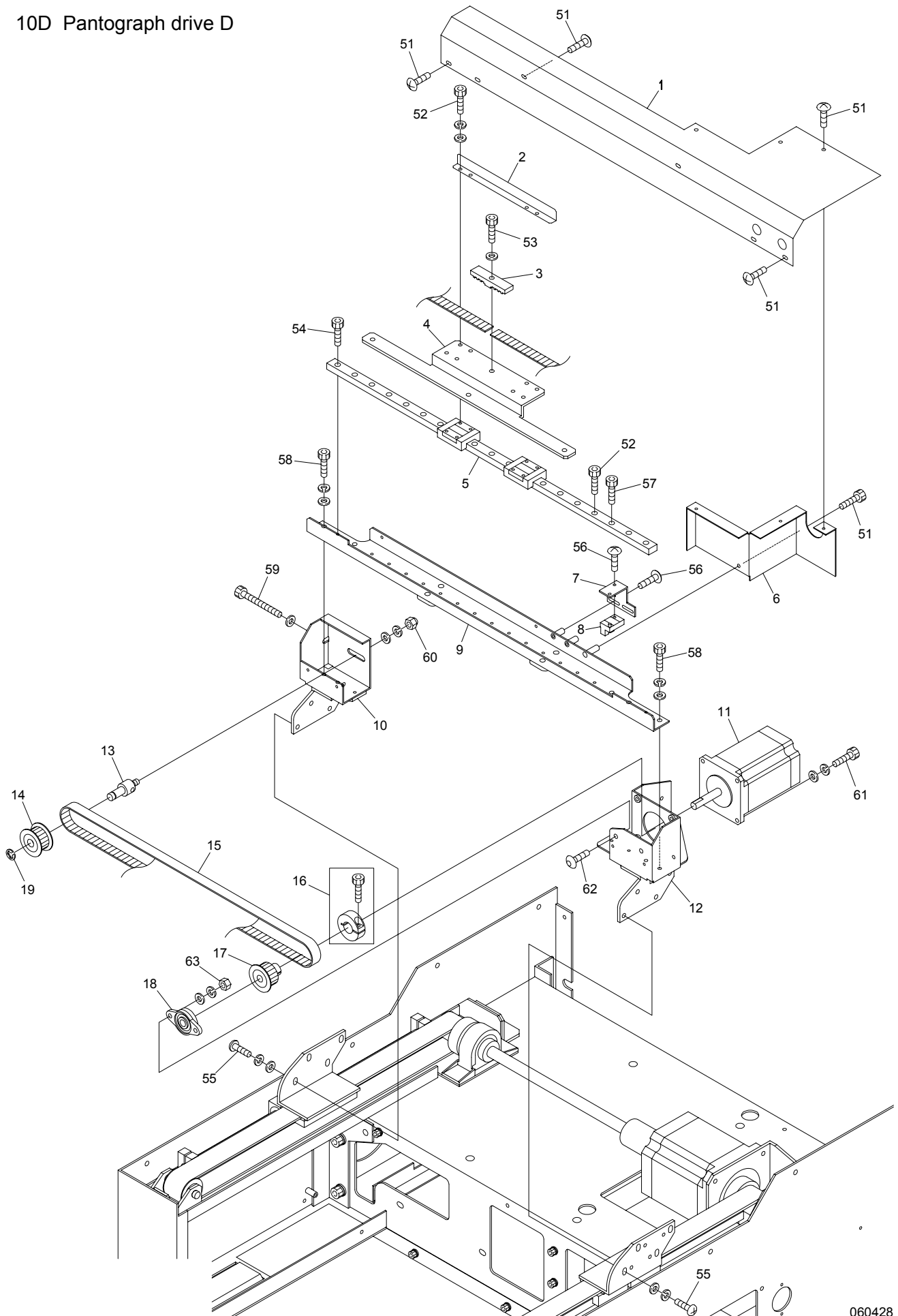


From the library of: Diamond Needle Corp

10C Pantograph drive C



10D Pantograph drive D



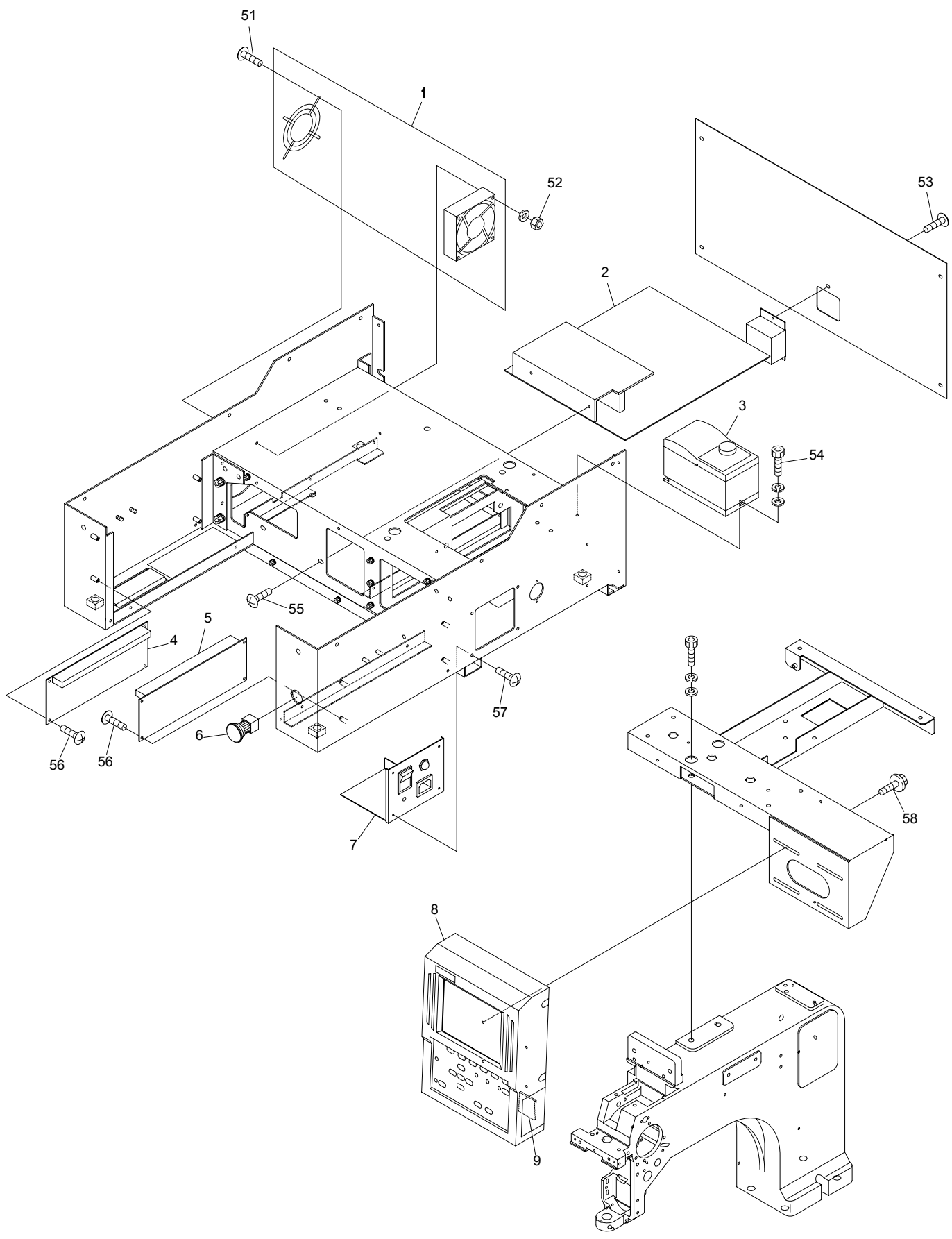
From the library of: Diamond Needle Corp

10D Pantograph drive D

ITEM	LIST No.	DESCRIPTION	Q'TY	NOTE
1	MH250032	V-shaft pantograph cover	1	250×250
	MH250160	V-shaft pantograph cover(V=400)	1	250×400
2	MH480262	V-shaft origin point detector plate	1	250×250
	MH480341	V-shaft origin point detector plate	1	250×400
3	MH480230	Belt clamp	1	
4	MH480221	V-shaft base plate	1	250×250
	MH480330	V-shaft base plate(V=400)	1	250×400
5	A9011247	LM guide(2RSR12MZUU+470L)	1	250×250
	A9011275	LM guide(2RSR12MZUU+620L)	1	250×400
6	MH250042	V-shaft pantograph support cover	1	
7	MH480251	V-shaft origin point sensor bracket	1	
8	EDY00270	Origin point sensor(DT)	1	
9	MH480172	V-shaft LM base bracket(L=250)	1	250×250
	MH480301	V-shaft LM base bracket(ST=400)		250×400
10	MH480210	V-shaft timing pulley bracket	1	
11	MH480280	Pluse motor single shaft TS3624N1309E8	1	
12	MH480201	V-shaft motor bracket	1	
13	MH480240	V-shaft belt tension shaft	1	
14	MH480190	V-shaft motor timing pulley	1	
15	A9020209	Timing belt(100S5M, 950mm)	1	250×250
	A9020207	Timing belt(100S5M, 1350mm)	1	250×400
16	A9013077	Set collar(SCS1310A)	1	
17	MH480180	V-shaft motor drive pulley	1	
18	A9011250	Flange unit(UFL08)	1	
19	A9012051	E-ring φ6	1	
51		Truss screw M3×3(Black chromate)		
52		Hex.socket bolt M3×8		
53		Hex.socket bolt M5×15		
54		Hex.socket bolt M3×5(With nylon)		
55		Hex.socket button bolt M5×10		
56		Truss screw M3×8		
57		Hex.socket bolt M3×10		
58		Hex.socket bolt M4×10		
59		Hex.socket bolt M5×45		
60		Hex.cap nut M6 III		
61		Hex.socket bolt M4×12(With washers)		
62		Hex.socket button bolt M4×12		
63		Hex.nut M4		

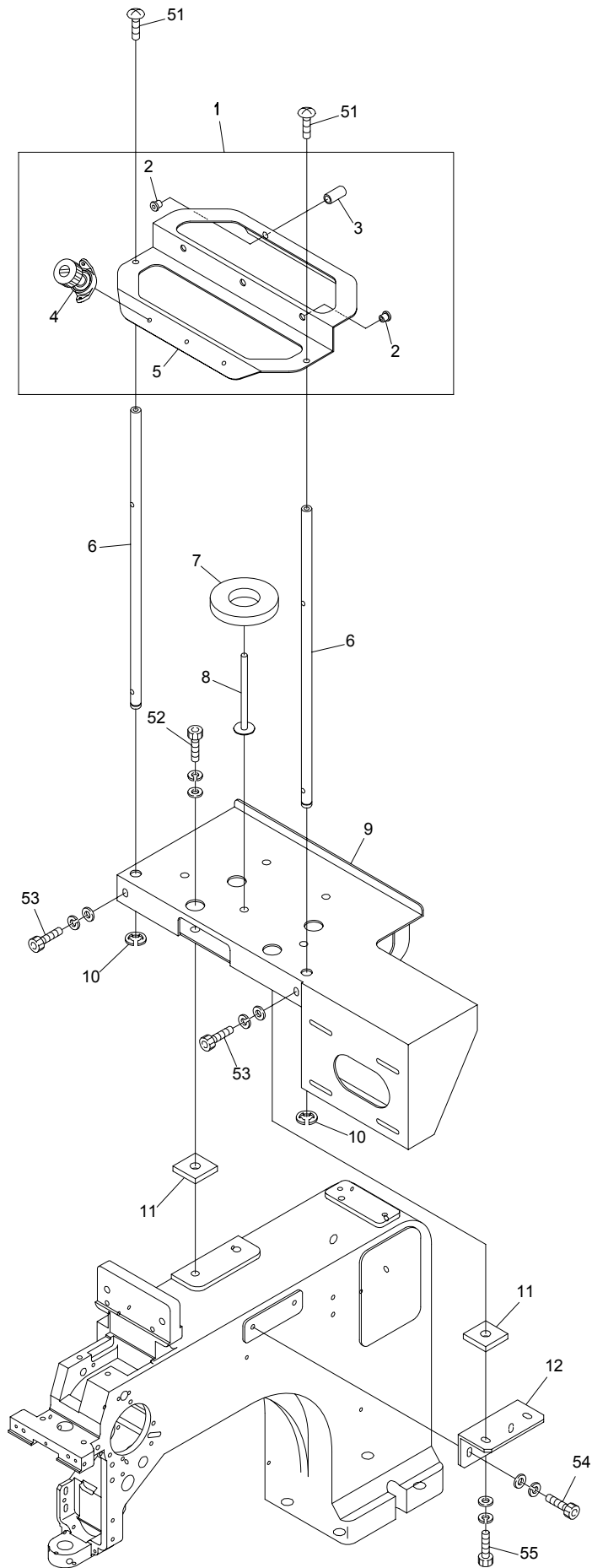
From the library of: Diamond Needle Corp

11 Control



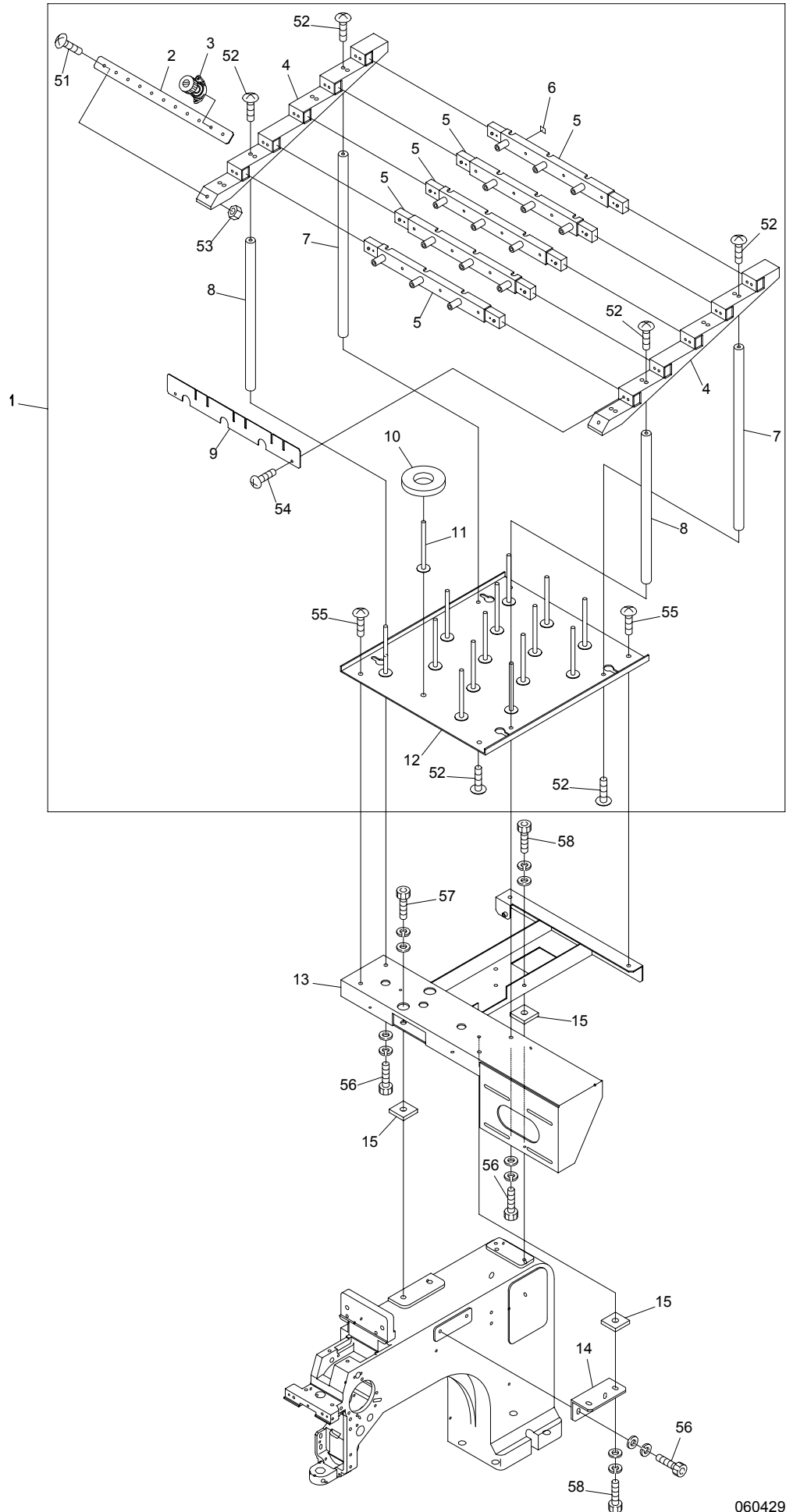
From the library of: Diamond Needle Corp

12-1 Accessories(Z3)



BEVT-Z301CA

12-2 Accessories(Z9)

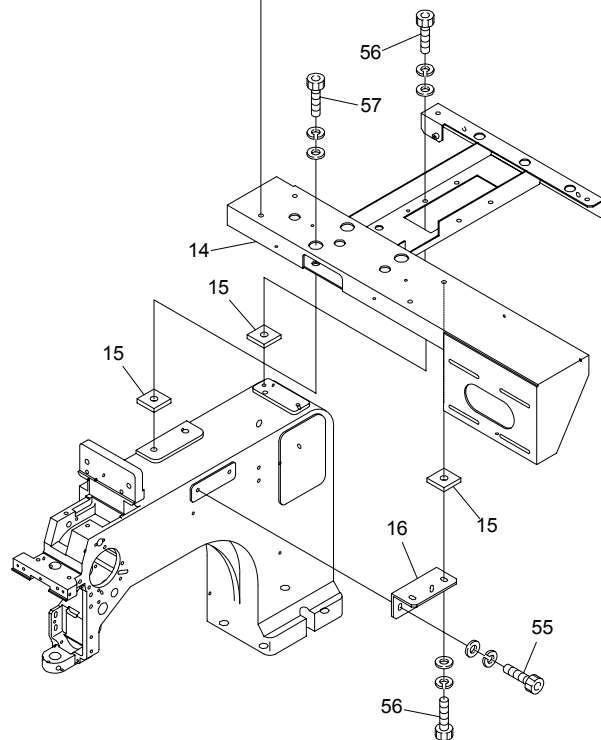
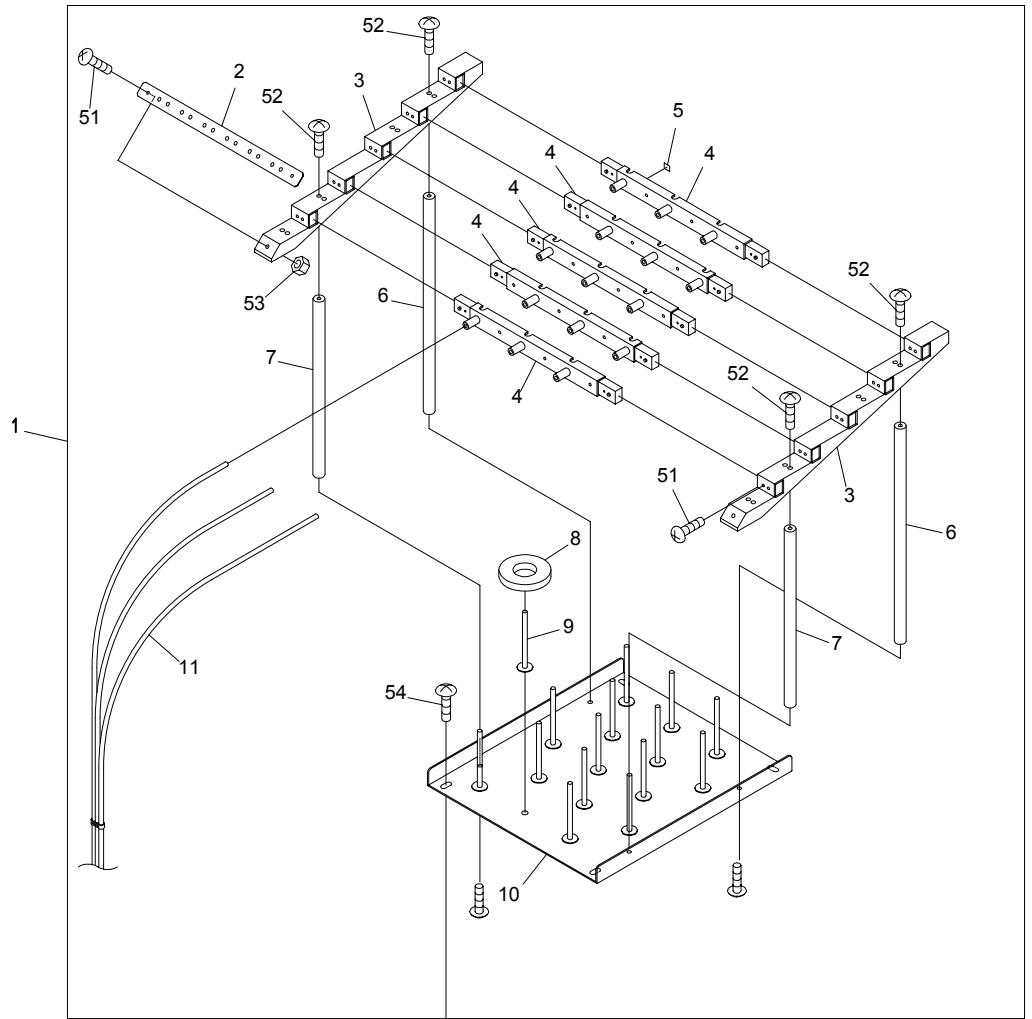


From the library of: Diamond Needle Corp

BEVT-Z901CA

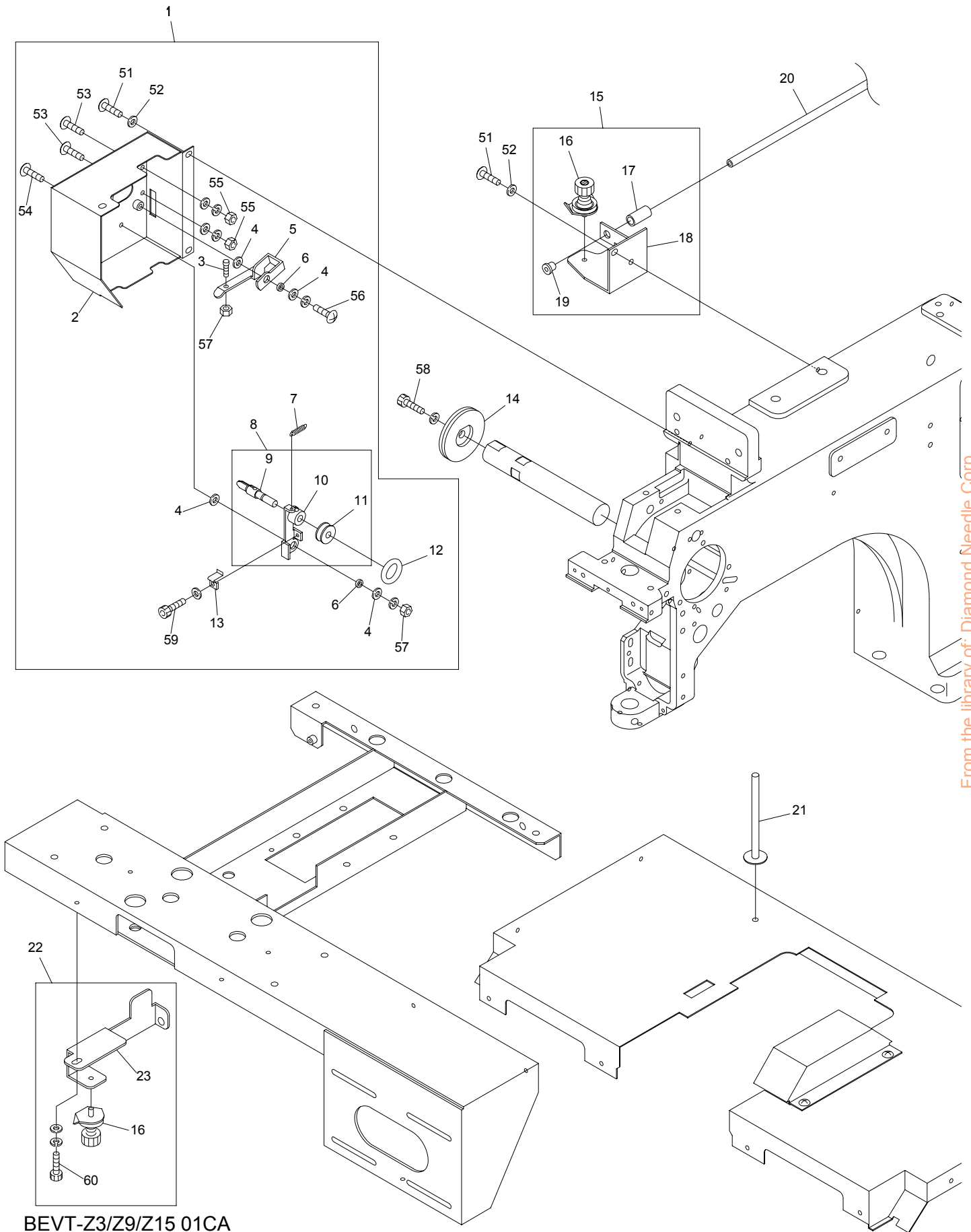
060429

12-3 Accessories(Z15)



BEVT-Z1501CA

13 Lower thread roll



From the library of: Diamond Needle Corp

BEVT-Z3/Z9/Z15 01CA

INDEX

LIST No.	SECTION №	ITEM	LIST No.	SECTION №	ITEM
A 9 0 1 0 0 6 3	0 7	2	A 9 0 1 3 0 7 7	1 0 D	16
A 9 0 1 0 0 6 5	0 4 C	18	A 9 0 1 4 1 6 6	0 4 C	21
A 9 0 1 0 0 7 3	0 3	19	A 9 0 1 4 1 6 7	0 4 A - 1	24
A 9 0 1 0 1 0 9	0 7	11	A 9 0 1 4 1 6 7	0 4 A - 2	21
A 9 0 1 0 1 1 0	0 1 B	8	A 9 0 1 4 1 6 7	0 4 A - 3	25
A 9 0 1 1 1 0 3	1 0 B	18	A 9 0 1 4 1 6 8	0 4 D - 2	24
A 9 0 1 1 1 1 1	0 1 B	15	A 9 0 1 4 1 6 8	0 4 D - 1	18
A 9 0 1 1 1 2 3	1 0 B	19	A 9 0 1 4 1 7 9	0 4 D - 1	7
A 9 0 1 1 1 3 6	1 0 A - 1 - 1	17	A 9 0 1 9 0 3 7	0 4 C	15
A 9 0 1 1 2 3 6	1 0 B	4	A 9 0 1 9 0 7 1	0 0	13
A 9 0 1 1 2 4 1	0 7	13	A 9 0 1 9 0 7 2	1 3	4
A 9 0 1 1 2 4 5	1 0 B	13	A 9 0 1 9 0 8 0	1 0 A - 1 - 1	21
A 9 0 1 1 2 4 6	1 0 C	9	A 9 0 2 0 2 0 7	1 0 D	15
A 9 0 1 1 2 4 7	1 0 D	5	A 9 0 2 0 2 0 8	1 0 B	6
A 9 0 1 1 2 4 8	0 4 A - 2	17	A 9 0 2 0 2 0 8	1 0 C	5
A 9 0 1 1 2 4 9	1 0 C	15	A 9 0 2 0 2 0 9	1 0 D	15
A 9 0 1 1 2 5 0	1 0 D	18	A 9 0 2 0 2 1 0	0 1 B	3
A 9 0 1 1 2 5 1	0 3	28	A 9 0 2 0 2 3 1	0 8	1
A 9 0 1 1 2 5 2	0 1 B	21	A 9 0 5 2 0 2 8	0 2 C	3
A 9 0 1 1 2 5 3	0 1 B	4	A 9 0 5 2 0 7 8	0 2 B	1
A 9 0 1 1 2 7 5	1 0 D	5	A 9 0 5 2 0 9 3	1 0 A - 1 - 3	14
A 9 0 1 2 0 2 7	0 1 A	10	A 9 0 5 4 0 5 4	1 1	9
A 9 0 1 2 0 5 1	1 0 B	20	A 9 0 5 6 0 3 9	0 5	1
A 9 0 1 2 0 5 1	1 0 C	19	A 9 0 5 6 0 4 0	0 2 A	15
A 9 0 1 2 0 5 1	1 0 D	19	A 9 0 5 6 0 4 1	0 2 C	1
A 9 0 1 2 0 5 3	0 4 C	13	A 9 0 5 6 0 4 2	0 4 C	28
A 9 0 1 2 0 8 7	1 0 A - 1 - 1	3	A 9 0 5 9 0 2 7	0 4 D - 1	6
A 9 0 1 2 1 1 4	0 2 B	12	A 9 0 6 8 0 3 2	0 6 - 1	15
A 9 0 1 2 1 2 7	0 4 B - 1	9	A 9 0 6 8 0 3 2	0 6 - 2	21
A 9 0 1 2 1 2 7	0 4 C	24	A 9 0 6 8 0 3 2	0 6 - 3	22
A 9 0 1 2 1 6 4	1 0 A - 1 - 1	4	A 9 0 7 2 0 4 5	1 0 A - 1 - 3	9
A 9 0 1 2 1 6 4	1 0 B	8	A 9 0 7 2 0 4 6	1 0 A - 1 - 3	7
A 9 0 1 2 1 6 4	1 0 C	8	A 9 0 7 3 0 9 4	1 0 A - 1 - 1	7
A 9 0 1 2 3 6 8	0 4 B - 1	24	A 9 0 7 4 0 5 0	1 0 A - 1 - 1	6
A 9 0 1 2 4 0 4	1 2 - 1	10	A 9 0 7 4 1 3 6	1 0 A - 1 - 3	6
A 9 0 1 2 4 2 1	0 3	20	A 9 0 7 4 1 3 7	1 0 A - 1 - 3	1
A 9 0 1 2 4 3 3	0 0	3	A 9 0 7 5 0 8 0	1 0 A - 1 - 3	5
A 9 0 1 2 4 3 7	1 0 A - 1 - 1	18	A 9 0 7 5 1 1 7	1 0 A - 1 - 3	11
A 9 0 1 2 4 3 7	1 0 A - 2	1	A 9 0 7 5 1 2 0	1 0 A - 1 - 3	12
A 9 0 1 2 4 3 8	0 6 - 3	4	A 9 0 7 5 1 2 1	1 0 A - 1 - 3	13
A 9 0 1 2 4 5 2	1 0 A - 1 - 1	11	A 9 0 7 5 1 4 4	1 0 A - 1 - 3	2
A 9 0 1 2 4 5 3	1 0 A - 1 - 1	10	A 9 0 7 5 1 4 5	1 0 A - 1 - 3	4
A 9 0 1 3 0 6 6	0 2 A	11	A 9 0 7 5 1 4 6	1 0 A - 1 - 3	10
A 9 0 1 3 0 7 1	0 1 B	12	A 9 0 7 5 1 4 7	1 0 A - 1 - 3	8

INDEX

LIST No.	SECTION №	ITEM	LIST No.	SECTION №	ITEM
EAY092A1	11	8	HS210300	02A	2
EBY01625	06-3	19	HT220061	01A	18
EBY01710	11	6	HT230120	04A-1	10
EBY02580	06-2	17	HT230120	04A-2	11
EBY02610	06-3	18	HT230120	04A-3	10
EBY02620	11	2	HT230220	05	5
EBY02630	11	3	HT230251	04A-1	4
EBY02640	11	7	HT230251	04A-2	5
EBY02650	11	5	HT230251	04A-3	4
EBY02661	11	4	HT230263	04A-1	6
EBY02670	11	3	HT230263	04A-2	7
EBY02710	10C	12	HT230263	04A-3	6
EDY00270	10D	8	HT230280	04B-1	27
EBY02720	11	1	HT230290	04B-1	22
EBY02820	06-1	11	HT230320	04B-2	27
FN070011Q1	04A-1	14	HT230330	04A-1	5
FN070011Q1	04A-2	15	HT230330	04A-2	6
FN070011Q1	04A-3	14	HT230330	04A-3	5
FR92240240A380A	10A-2	9	HT230340	04B-1	21
FR92300430A520A	10A-2	9	HT230410	04C	7
HB230070	03	22	HT230420	04C	29
HB230080	03	21	HT230450	04B-1	11
HB230200	04B-1	13	HT230460	04B-2	23
HB230220	04C	9	HT230471	04B-1	6
HB230261	04C	8	HT230480	04B-1	16
HB230271	04C	3	HT230491	04B-1	7
HB230281	04C	6	HT230500	04B-2	25
HB230361	04C	5	HT230510	04B-1	14
HB230620	03	24	HT230520	04B-1	23
HB230650	03	7	HT230560	04B-1	28
HB230800	03	10	HT230620	05	6
HB240020	05	7	HT230730	04B-1	8
HB240030	05	8	HT230750	04B-1	5
HB240041	05	10	HT230760	04B-1	12
HH481980	10B	3	HT231370	04B-2	26
HH481980	10C	3	HT240101	06-1	12
HP220712	01A	19	HT240101	06-2	13
HP241430	12-1	4	HT240101	06-3	10
HP241430	12-2	3	HT240180	06-1	14
HP321082	01B	20	HT240180	06-2	15
HP321090	01B	19	HT240180	06-3	11
HS210031	01A	9	HT240290	06-1	5
HS210051	02A	1	HT240290	06-2	3
HS210080	02A	19	HT240290	06-3	7
			HT240480	12-1	2

INDEX

LIST No.	SECTION №	ITEM	LIST No.	SECTION №	ITEM
HT 2 4 0 4 8 0	1 3	19	KN 5 4 0 5 1 0	0 6 - 3	9
HT 2 5 0 2 5 1	0 4 A - 3	4	HT 2 3 0 2 5 1	0 4 A - 1	4
HT 2 7 0 0 6 3	0 4 D - 1	22	HT 2 3 0 2 5 1	0 4 A - 2	5
HT 2 7 0 0 6 3	0 4 D - 2	13	KX 2 3 0 0 4 0	0 4 A - 2	28
HT 2 7 0 1 8 1	0 2 A	13	KX 2 3 0 0 7 1	0 4 B - 1	4
HT 7 1 0 0 0 0	1 2 - 1	8	KX 2 3 0 1 4 1	0 4 A - 1	22
HT 7 1 0 0 0 0	1 2 - 2	11	KX 2 3 0 1 4 1	0 4 A - 2	19
HT 7 1 0 0 0 0	1 2 - 3	9	KX 2 3 0 1 4 1	0 4 A - 3	22
HT 7 1 0 0 0 0	1 3	21	KX 2 3 0 1 5 2	0 4 A - 1	21
KC 2 5 0 4 8 2	0 1 A	8	KX 2 3 0 1 5 2	0 4 A - 2	18
KC 2 7 0 1 0 1	0 4 C	27	KX 2 3 0 1 5 2	0 4 A - 3	21
KC 2 7 1 0 0 1	0 2 A	3	KX 2 4 0 1 6 1	0 4 D - 2	6
KC 2 7 1 1 2 0	0 2 B	11	KX 2 5 0 0 8 0	0 1 A	13
KC 2 7 1 9 4 0	0 2 A	18	KX 2 5 0 0 8 0	0 2 A	5
KF 2 2 0 2 3 0	0 1 A	4	KX 2 7 0 0 0 0	0 2 A	21
KF 2 2 0 2 9 0	0 1 A	16	KX 2 7 0 0 1 0	0 2 A	9
KF 2 2 0 5 3 0	0 1 A	2	KX 2 7 0 0 2 3	0 2 A	7
KF 2 2 0 7 1 0	0 1 A	3	KX 2 7 0 0 5 0	0 2 C	13
KF 2 2 1 0 2 0	0 1 A	1	KX 2 7 0 0 7 0	0 2 C	15
KF 2 3 0 5 0 1	0 3	5	KX 2 7 0 2 8 3	0 2 A	6
KF 2 3 0 5 3 0	0 4 B - 1	10	KX 2 7 0 3 7 0	0 2 C	14
KF 2 3 0 6 8 0	0 3	6	KX 2 7 0 4 3 0	0 2 A	20
KF 2 3 0 9 1 0	0 4 A - 1	9	KX 2 7 0 4 9 0	0 2 A	23
KF 2 3 0 9 1 0	0 4 A - 2	10	KX 3 3 0 1 6 0	0 7	3
KF 2 3 0 9 1 0	0 4 A - 3	9	KX 3 3 0 2 8 0	0 7	5
KF 7 1 0 3 9 0	1 2 - 1	7	LA 2 3 0 0 8 0	0 4 C	14
KF 7 1 0 3 9 0	1 2 - 2	10	LA 2 3 0 1 4 0	0 4 C	16
KF 7 1 0 3 9 0	1 2 - 3	8	LA 2 5 0 0 4 0	0 1 A	15
KL 2 2 0 0 7 0	0 1 A	17	LA 2 7 0 0 4 0	0 2 A	16
KL 2 2 0 1 2 0	0 1 A	11	LA 2 7 0 0 8 0	0 2 C	16
KL 2 2 0 1 4 0	0 1 A	5	LA 2 7 0 1 2 0	0 2 C	16
KL 2 7 0 0 9 1	0 2 C	8	LA 2 7 0 1 5 0	0 2 C	12
KL 2 7 0 1 0 1	0 2 C	9	LA 2 7 0 1 6 0	0 2 C	12
KL 2 7 0 1 2 0	0 2 C	11	LA 7 3 0 6 1 0	1 0 A - 2	5
KL 2 7 0 1 3 1	0 2 C	10	MB 2 9 5 2 5 0	0 2 B	4
KL 2 7 0 2 6 0	0 2 C	2	MB 2 9 5 2 6 0	0 2 B	7
KL 2 7 0 4 5 0	0 2 C	7	MB 2 9 5 2 7 0	0 2 B	6
KN 2 7 0 9 5 2	0 2 A	10	MB 2 9 5 2 9 0	0 2 B	5
KN 2 7 0 9 6 1	0 2 A	8	MF 2 1 0 0 7 0	0 2 B	3
KN 2 7 2 0 1 0	0 2 A	12	MF 2 1 0 0 8 0	0 2 B	2
KN 2 7 2 4 0 1	0 2 A	17	MF 3 1 0 0 0 1	0 8	2
KN 2 7 2 4 0 1	0 2 C	5	MF 3 3 0 0 2 0	0 7	4
KN 5 4 0 5 1 0	0 6 - 1	13	MF 5 1 0 0 0 0	0 1 B	10
KN 5 4 0 5 1 0	0 6 - 2	12	MF 5 1 0 0 1 0	0 7	15

INDEX

LIST No.	SECTION №	ITEM	LIST No.	SECTION №	ITEM
MF 5 1 0 0 2 0	0 2 B	10	MH 2 3 0 1 8 0	0 4 B - 1	2
MF 5 1 0 0 3 0	0 8	4	MH 2 3 0 1 9 0	0 4 C	19
MG 2 1 0 0 5 0	0 2 B	9	MH 2 3 0 2 0 0	0 4 B - 1	19
MG 2 1 0 0 7 0	0 2 B	8	MH 2 3 0 2 2 0	0 3	14
MG 3 3 0 0 0 0	0 7	20	MH 2 4 0 0 1 1	0 6 - 2	6
MG 3 3 0 0 1 0	0 7	19	MH 2 4 0 0 2 1	0 6 - 2	19
MG 3 3 0 0 3 0	0 7	10	MH 2 4 0 0 3 0	0 6 - 2	10
MG 3 3 0 0 4 0	0 7	9	MH 2 4 0 0 4 1	0 6 - 2	9
MG 3 3 0 0 5 0	0 7	12	MH 2 4 0 0 5 1	0 6 - 2	11
MG 3 3 0 0 6 0	0 7	7	MH 2 5 0 0 0 0	0 1 A	14
MG 3 3 0 0 7 0	0 7	16	MH 2 5 0 0 2 0	0 7	18
MG 3 3 0 0 8 0	0 7	14	MH 2 5 0 0 3 2	1 0 D	1
MG 3 3 0 0 9 0	0 7	6	MH 2 5 0 0 4 2	1 0 D	6
MG 3 3 0 1 1 0	0 7	8	MH 2 5 0 0 5 0	0 0	14
MH 1 1 0 0 0 4	0 0	12	MP 2 5 0 0 1 0	0 0	8
MH 1 1 0 0 2 0	0 0	16	MH 2 5 0 0 7 2	0 0	5
MH 1 1 0 0 3 1	0 0	15	MH 2 5 0 0 8 1	0 0	11
MH 1 2 0 0 0 2	0 0	2	MH 2 5 0 0 9 1	0 0	9
MH 1 2 0 0 3 0		10	MH 2 5 0 1 0 1	0 1 B	1
MH 1 2 0 0 1 0	0 0	4	MH 2 5 0 1 1 0	0 1 B	16
MH 1 2 0 0 2 3	0 0	1	MH 2 5 0 1 2 0	0 4 D - 2	5
MH 2 1 0 0 2 3	0 1 B	9	MH 2 5 0 1 3 0	0 7	17
MH 2 1 0 0 3 2	0 1 A	12	MH 2 5 0 1 4 0	0 0	10
MH 2 1 0 0 4 0	0 1 A	7	MH 2 5 0 1 6 0	1 0 D	1
MH 2 1 0 0 5 0	0 0	6	MH 2 5 0 1 7 0	1 0 D	6
MH 2 1 0 0 6 0	0 1 B	23	MH 2 5 0 1 8 0	0 4 D - 2	16
MH 2 1 0 0 7 0	0 0	7	MH 2 5 0 1 9 0	0 4 D - 2	18
MH 2 2 0 0 0 0	0 1 A	6	MH 2 7 0 0 2 0	0 2 A	4
MH 2 3 0 0 0 0	0 4 A - 2	1	MH 2 7 0 0 3 0	0 2 A	14
MH 2 3 0 0 1 1	0 4 A - 2	26	MH 2 7 0 1 3 0	0 4 D - 2	9
MH 2 3 0 0 2 1	0 4 A - 2	27	MH 2 7 0 1 4 0	0 4 D - 2	10
MH 2 3 0 0 3 1	0 4 A - 2	22	MH 2 7 0 1 5 0	0 4 D - 2	15
MH 2 3 0 0 4 0	0 4 A - 2	24	MH 3 1 0 0 0 1	0 8	3
MH 2 3 0 0 5 2	0 3	31	MH 3 1 0 0 1 1	0 1 B	11
MH 2 3 0 0 6 1	0 3	32	MH 3 1 0 0 2 0	0 1 B	22
MH 2 3 0 0 8 0	0 3	15	MH 3 1 0 0 2 2	0 1 B	22
MH 2 3 0 0 9 0	0 3	17	MH 3 1 0 0 3 1	0 1 B	14
MH 2 3 0 1 0 0	0 4 A - 2	23	MH 3 1 0 0 4 2	0 1 B	13
MH 2 3 0 1 1 0	0 4 A - 2	20	MH 3 1 0 0 5 3	0 1 B	17
MH 2 3 0 1 2 0	0 4 A - 2	29	MH 3 1 0 0 5 4	0 1 B	17
MH 2 3 0 1 3 0	0 4 A - 2	30	MH 3 1 0 0 6 0	0 1 B	6
MH 2 3 0 1 4 0	0 4 B - 1	1	MH 3 1 0 0 7 0	0 1 B	5
MH 2 3 0 1 5 0	0 4 C	1	MH 3 1 0 0 9 1	0 1 B	7
MH 2 3 0 1 6 1	0 5	3	MH 3 1 0 1 0 0	0 3	30
MH 2 3 0 1 7 0	0 4 B - 1	3	MH 3 1 0 1 1 0	0 3	29

INDEX

LIST No.	SECTION №	ITEM	LIST No.	SECTION №	ITEM
MH 4 8 0 0 1 0	1 0 C	16	MH 6 2 0 0 3 0	1 3	10
MH 4 8 0 0 2 0	1 0 B	16	MH 6 2 0 0 4 0	1 3	9
MH 4 8 0 0 3 0	1 0 B	2	MH 6 2 0 0 5 0	1 3	11
MH 4 8 0 0 3 0	1 0 C	4	MH 6 2 0 0 6 0	1 3	2
MH 4 8 0 0 4 0	1 0 B	9	MH 6 2 0 0 7 0	1 3	12
MH 4 8 0 0 4 0	1 0 C	7	MH 6 2 0 0 8 0	1 3	7
MH 4 8 0 0 5 0	1 0 B	5	MH 6 2 0 0 9 0	1 3	6
MH 4 8 0 0 6 0	1 0 C	10	MH 6 2 0 1 0 0	1 3	13
MH 4 8 0 0 7 0	1 0 B	10	MH 6 2 0 1 1 0	1 3	5
MH 4 8 0 0 8 0	1 0 B	12	MH 6 2 0 1 2 0	1 3	3
MH 4 8 0 0 9 0	1 0 B	7	MH 6 2 0 1 3 0	1 3	15
MH 4 8 0 0 9 0	1 0 C	6	MH 6 2 0 1 4 1	#VALUE!	16
MH 4 8 0 1 0 0	1 0 C	2	MH 6 2 0 1 6 0	1 3	18
MH 4 8 0 1 1 0	1 0 B	1	MH 6 2 0 1 7 0	1 3	14
MH 4 8 0 1 2 0	1 0 B	14	MH 7 1 0 0 0 3	1 2 - 2	13
MH 4 8 0 1 2 0	1 0 C	17	MH 7 1 0 0 1 0	1 2 - 1	12
MH 4 8 0 1 3 0	1 0 B	15	MH 7 1 0 0 1 0	1 2 - 2	14
MH 4 8 0 1 3 0	1 0 C	18	MH 7 1 0 0 1 0	1 2 - 3	16
MH 4 8 0 1 4 0	1 0 B	17	MH 7 1 0 0 2 0	1 2 - 2	1
MH 4 8 0 1 4 0	1 0 C	14	MH 7 1 0 0 3 0	1 2 - 2	2
MH 4 8 0 1 5 1	1 0 C	13	MH 7 1 0 0 4 0	1 2 - 2	9
MH 4 8 0 1 6 1	1 0 C	1	MH 7 1 0 0 5 1	1 2 - 2	15
MH 4 8 0 1 7 2	1 0 D	9	MH 7 1 0 0 7 0	1 2 - 3	13
MH 4 8 0 1 8 0	1 0 D	17	MH 7 1 0 0 8 0	1 2 - 3	12
MH 4 8 0 1 9 0	1 0 D	14	MH 7 3 0 0 2 0	1 0 A - 2	7
MH 4 8 0 2 0 1	1 0 D	12	MH 7 3 0 0 3 0	1 0 A - 2	3
MH 4 8 0 2 1 0	1 0 D	10	MH 7 3 0 0 3 0	1 0 A - 2	3
MH 4 8 0 2 2 1	1 0 D	4	MH 7 3 0 0 4 1	1 0 A - 1 - 1	20
MH 4 8 0 2 3 0	1 0 D	3	MH 7 3 0 0 4 1	1 0 A - 2	11
MH 4 8 0 2 4 0	1 0 D	13	MH 7 3 0 0 6 0	1 0 A - 2	4
MH 4 8 0 2 4 0	1 0 D	13	MH 7 3 0 0 7 1	1 0 A - 2	6
MH 4 8 0 2 5 1	1 0 D	7	MH 7 3 0 0 8 0	1 0 A - 2	10
MH 4 8 0 2 6 2	1 0 D	2	MH 7 3 0 1 0 0	1 0 A - 2	2
MH 4 8 0 2 7 0	1 0 B	11	MH 7 3 0 1 1 0	1 0 A - 2	8
MH 4 8 0 2 8 0	1 0 D	11	MH 7 3 0 1 3 0	1 0 A - 2	2
MH 4 8 0 2 9 0	1 0 C	11	MH 7 3 0 1 4 0	1 0 A - 2	8
MH 4 8 0 3 0 1	1 0 D	9	MH 7 3 0 1 5 0	1 0 A - 2	10
MH 4 8 0 3 1 0	1 0 D	12	MH 7 3 0 1 6 0	1 0 A - 2	11
MH 4 8 0 3 2 0	1 0 D	10	MH 7 9 0 0 0 0	0 1 B	18
MH 4 8 0 3 3 0	1 0 D	4	MH 7 9 0 0 0 1	0 1 B	18
MH 4 8 0 3 4 1	1 0 D	2	MH 7 9 0 0 1 0	0 0	17
MH 6 2 0 0 1 1	1 3	1	MK 2 3 0 0 1 0	0 4 A - 3	29
MH 6 2 0 0 2 0	1 3	8	MK 2 3 0 0 1 0	0 4 A - 2	30

INDEX

LIST No.	SECTION №	ITEM	LIST No.	SECTION №	ITEM
MK 2 3 0 0 2 0	0 4 A - 3	28	MN 2 7 0 1 5 0	0 2 C	13
MK 2 3 0 0 2 0	0 4 A - 2	31	MN 2 7 0 1 6 0	0 2 C	14
MK 2 3 0 0 3 0	0 4 D - 1	3	MN 3 3 0 0 1 0	0 7	15
MK 2 3 0 0 3 0	0 4 D - 2	5	MN 6 3 0 0 1 0	0 4 D - 1	8
MK 2 3 0 0 4 0	0 4 A - 2	18	MN 6 3 0 0 2 0	0 4 D - 1	8
MK 2 3 0 0 5 0	0 4 A - 2	16	MN 6 3 0 0 3 0	0 4 D - 1	9
MK 2 3 0 0 8 0 C	0 4 C	12	MN 6 3 0 0 4 0	0 4 D - 1	16
MK 2 3 0 0 9 0	0 4 A - 2	25	MN 7 1 0 0 1 0	1 2 - 1	1
MK 2 3 0 1 1 0	0 4 A - 2	29	MN 7 1 0 0 2 0	1 2 - 1	5
MK 2 3 0 1 2 0	0 3	8	MN 7 1 0 0 3 0	1 2 - 1	6
MK 2 3 0 1 3 0	0 3	1	MN 7 1 0 0 4 0	1 2 - 1	9
MK 2 5 0 0 7 0	0 7	1	MN 7 3 0 0 1 0	1 0 A - 1 - 1	19
MK 6 2 0 0 3 0	1 3	22	MN 7 3 0 0 2 0	1 0 A - 1 - 1	12
MK 6 2 0 0 4 0	1 3	23	MN 7 3 0 0 3 0	1 0 A - 1 - 1	16
MK 7 1 0 0 1 0	1 2 - 3	14	MN 7 3 0 0 4 0	1 0 A - 1 - 1	5
MM 2 7 0 0 0 0	0 4 C	19	MN 7 3 0 0 5 0	1 0 A - 1 - 1	2
MN 2 3 0 0 0 1	0 4 A - 1	17	MN 7 3 0 0 6 0	1 0 A - 1 - 1	8
MN 2 3 0 0 1 1	0 4 A - 1	18	MN 7 3 0 0 7 0	1 0 A - 1 - 1	1
MN 2 3 0 0 2 0	0 4 A - 1	19	MN 7 3 0 0 8 0	1 0 A - 1 - 2	5
MN 2 3 0 0 3 1	0 4 A - 1	26	MN 7 3 0 0 9 0	1 0 A - 1 - 2	5
MN 2 3 0 0 4 0	0 4 A - 1	23	MN 7 3 0 1 0 0	1 0 A - 1 - 2	5
MN 2 3 0 0 5 0	0 4 A - 1	20	MN 7 3 0 1 1 0	1 0 A - 1 - 1	14
MN 2 3 0 0 6 0	0 4 A - 1	15	MN 7 3 0 1 2 0	1 0 A - 1 - 1	14
MN 2 3 0 0 7 0	0 4 A - 1	28	MN 7 3 0 1 3 0	1 0 A - 1 - 1	14
MN 2 3 0 0 8 0	0 4 A - 1	27	MN 7 3 0 1 4 0	1 0 A - 1 - 2	1
MN 2 3 0 0 9 0	0 5	2	MN 7 3 0 1 5 0	1 0 A - 1 - 2	1
MN 2 3 0 1 1 0	0 4 A - 1	25	MN 7 3 0 1 6 0	1 0 A - 1 - 2	1
MN 2 3 0 1 2 0	0 4 A - 1	25	MN 7 3 0 1 7 0	1 0 A - 1 - 2	4
MN 2 4 0 0 0 0	0 6 - 1	1	MN 7 3 0 1 8 1	1 0 A - 1 - 2	6
MN 2 4 0 0 1 0	0 6 - 1	3	MN 7 3 0 1 9 1	1 0 A - 1 - 2	6
MN 2 4 0 0 3 0	0 6 - 1	10	MN 7 3 0 2 0 1	1 0 A - 1 - 2	7
MN 2 4 0 0 4 0	0 6 - 1	8	MN 7 3 0 2 1 1	1 0 A - 1 - 2	6
MN 2 4 0 0 5 0	0 6 - 1	9	MN 7 3 0 2 2 1	1 0 A - 1 - 2	7
MN 2 4 0 0 7 0	0 4 D - 1	5	MN 7 3 0 2 3 0	1 0 A - 1 - 2	2
MN 2 5 0 0 1 2	0 4 D - 1	14	MN 7 3 0 2 4 0	1 0 A - 1 - 1	9
MN 2 5 0 0 2 0	0 4 D - 1	4	MN 7 3 0 2 5 0	1 0 A - 1 - 1	13
MN 2 5 0 0 3 0	0 7	1	MN 7 3 0 2 6 0	1 0 A - 1 - 2	3
MN 2 5 0 0 4 0	0 1 B	24	MN 7 3 0 2 7 0	1 0 A - 1 - 2	10
MN 2 5 0 0 6 0	0 4 D - 1	17	MN 7 3 0 2 8 0	1 0 A - 1 - 2	10
MN 2 7 0 1 1 0	0 4 D - 1	23	MN 7 3 0 2 8 0	1 0 A - 1 - 2	11
MN 2 7 0 1 2 0	0 4 D - 1	10	MN 7 3 0 2 9 0	1 0 A - 1 - 2	11
MN 2 7 0 1 3 0	0 2 C	12	MN 7 3 0 3 0 0	1 0 A - 1 - 1	15
MN 2 7 0 1 4 0	0 2 C	16	MN 7 3 0 3 1 0	1 0 A - 1 - 1	15

INDEX

LIST No.	SECTION №	ITEM	LIST No.	SECTION №	ITEM
MN 7 3 0 3 2 0	1 0 A - 1 - 1	15	RD 2 7 0 0 2 0	0 2 C	14
MN 7 3 0 3 3 0	1 0 A - 1 - 2	14	RD 2 7 0 0 4 0	0 2 C	13
MN 7 3 0 3 4 0	1 0 A - 1 - 2	14	RD 7 1 0 1 2 0	1 2 - 1	3
MN 7 3 0 3 5 0	1 0 A - 1 - 2	13	RD 7 1 0 1 2 0	1 3	17
MN 7 3 0 3 7 0	1 0 A - 1 - 3	3	RD 7 1 0 3 1 0	1 0 A - 1 - 3	16
MN 7 3 0 3 8 0	1 0 A - 1 - 2	12	RV 7 1 0 0 5 0	1 2 - 3	11
MN 7 3 0 3 9 0	1 0 A - 1 - 2	12	RD 7 1 0 3 1 0	1 3	20
MN 7 3 0 4 0 0	1 0 A - 1 - 2	15	RD 7 1 0 3 2 1	1 2 - 2	12
MN 7 3 0 4 1 0	1 0 A - 1 - 2	15	RD 7 1 0 3 3 0	1 2 - 2	5
MN 7 3 0 4 2 0	1 0 A - 1 - 2	16	RD 7 1 0 3 3 0	1 2 - 3	4
MN 7 3 0 4 3 0	1 0 A - 1 - 2	16	RD 7 1 0 3 4 0	1 2 - 2	4
MN 7 3 0 6 0 0	1 0 A - 1 - 2	10	RD 7 1 0 3 4 0	1 2 - 3	3
MN 7 3 0 6 1 0	1 0 A - 1 - 2	10	RD 7 1 0 3 5 1	1 2 - 2	8
MN 7 3 0 6 2 0	1 0 A - 1 - 2	11	RD 7 1 0 3 5 1	1 2 - 3	7
MN 7 3 0 6 3 0	1 0 A - 1 - 2	10	RD 7 1 0 3 6 1	1 2 - 2	7
MN 7 3 0 6 4 0	1 0 A - 1 - 2	11	RD 7 1 0 3 6 1	1 2 - 3	6
MN 7 3 0 6 5 0	1 0 A - 1 - 2	8	RD 7 1 0 3 7 0	1 2 - 3	2
MP 2 4 0 0 0 0	0 6 - 3	25	RD 7 1 0 3 8 0	1 2 - 2	6
MP 2 4 0 0 2 0	0 6 - 2	23	RD 7 1 0 3 8 0	1 2 - 3	5
MP 2 4 0 0 3 0	0 6 - 2	14	RH 2 3 0 2 7 1	0 3	27
MP 2 4 0 0 4 0	0 6 - 2	20	RH 2 3 0 2 8 0	0 3	26
MP 7 1 0 0 0 0	1 2 - 3	1	RH 2 3 0 3 0 0	0 3	25
PE 2 5 0 0 0 0	0 4 D - 2	3	RH 2 3 0 3 1 1	0 3	3
			RH 2 3 0 3 2 0	0 3	12
PG 2 4 0 0 1 0	0 6 - 3	13	RH 2 3 0 3 3 0	0 3	13
PG 2 4 0 0 2 0	0 6 - 3	21	RH 2 3 0 4 1 0	0 4 A - 1	3
PG 2 4 0 0 4 0	0 6 - 3	3	RH 2 3 0 4 1 0	0 4 A - 2	4
PG 2 5 0 0 0 0	0 4 D - 2	3	RH 2 3 0 4 1 0	0 4 A - 3	3
RD 2 3 0 0 6 0	0 4 A - 3	18	RH 2 3 0 4 4 0	0 4 A - 1	11
RD 2 3 0 1 3 0	0 3	9	RH 2 3 0 4 4 0	0 4 A - 2	12
RD 2 3 0 2 0 1	0 4 A - 3	23	RH 2 3 0 4 4 0	0 4 A - 3	11
RD 2 3 0 2 5 0	0 5	9	RH 2 3 0 4 5 0	0 4 A - 1	13
RD 2 3 0 3 7 0	0 4 A - 1	8	RH 2 3 0 4 5 0	0 4 A - 2	14
RD 2 3 0 3 7 0	0 4 A - 2	9	RH 2 3 0 4 5 0	0 4 A - 3	13
RD 2 3 0 3 7 0	0 4 A - 3	8	RH 2 3 0 4 6 0	0 4 A - 1	12
RD 2 3 0 4 8 0	0 4 A - 1	1	RH 2 3 0 4 6 0	0 4 A - 2	13
RD 2 3 0 4 8 0	0 4 A - 2	2	RH 2 3 0 4 6 0	0 4 A - 3	12
RD 2 3 0 4 8 0	0 4 A - 3	1	RH 2 3 0 5 4 0	0 4 B - 1	26
RD 2 3 0 4 9 0	0 4 A - 1	2	RH 2 3 0 5 5 0	0 4 B - 1	25
RD 2 3 0 4 9 0	0 4 A - 2	3	RH 2 3 0 6 1 0	0 3	11
RD 2 3 0 4 9 0	0 4 A - 3	2	RH 2 3 0 8 0 1	0 3	2
RD 2 4 0 1 5 4	0 6 - 1	7	RH 2 3 0 8 1 0	0 3	4
RD 2 4 0 1 5 4	0 6 - 2	5	RN 2 3 0 0 3 0	0 3	16
RD 2 4 0 1 5 4	0 6 - 3	5	RN 2 3 0 0 4 0	0 3	18
RD 2 4 0 2 7 1	0 4 D - 2	4	RR 2 3 0 0 8 0	0 4 C	4

INDEX

LIST No.	SECTION №	ITEM	LIST No.	SECTION №	ITEM
RR 2 3 0 0 9 0	0 4 C	2	SG 2 3 0 2 3 0	0 4 A - 2	16
RR 2 3 0 1 3 0	0 4 B - 2	18	SG 2 3 0 2 3 0	0 4 A - 3	20
RR 2 3 0 1 4 0	0 4 B - 2	19	SG 2 3 0 2 6 0	0 5	4
RR 2 3 0 1 5 0	0 4 B - 2	20	SG 2 3 0 2 7 0	0 4 C	10
RR 2 3 0 2 4 0	0 3	23	SG 2 3 0 3 0 0	0 4 C	17
RR 2 3 0 2 5 0	0 4 B - 2	30	SG 2 5 0 0 1 0	0 4 D - 2	23
RR 2 4 0 2 8 0	0 6 - 2	1	SG 2 5 0 0 2 0	0 4 D - 1	1
RR 2 4 0 3 0 0	0 6 - 1	4	SG 2 5 0 0 2 0	0 4 D - 2	1
RR 2 4 0 3 0 0	0 6 - 2	2	SG 2 5 0 0 5 0	0 4 D - 2	21
RR 2 4 0 3 0 0	0 6 - 3	8	SG 2 5 0 0 6 0	0 4 D - 2	22
RR 2 4 0 3 1 0	0 6 - 2	7	SG 2 7 0 0 0 0	0 4 D - 2	12
RR 2 4 0 3 2 0	0 6 - 2	8	SG 2 7 0 0 0 0	0 4 D - 1	20
RR 2 4 0 3 3 0	0 6 - 2	18	SG 2 7 0 0 5 0	0 4 C	20
RR 2 4 0 3 3 0	0 6 - 3	20	SG 2 7 0 0 6 0	0 4 C	22
RR 2 4 0 3 4 0	0 6 - 2	16	SG 2 7 0 0 7 0	0 4 C	23
RR 2 4 0 3 9 0	0 6 - 3	12	SG 2 7 0 0 8 1	0 2 C	4
RR 2 4 0 5 1 0	0 6 - 1	6	SG 2 7 0 0 9 0	0 2 C	6
RR 2 4 0 5 1 0	0 6 - 2	4	SG 2 7 0 1 1 0	0 4 C	26
RR 2 4 0 5 1 0	0 6 - 3	6	SG 2 7 0 1 2 0	0 4 C	25
RV 2 3 0 0 6 0	0 3	8	SG 2 7 0 1 3 0	0 4 D - 2	11
RV 2 3 0 0 7 0	0 3	1	SG 2 7 0 1 3 0	0 4 D - 1	19
RV 2 4 0 0 4 0	0 6 - 3	14	SG 2 7 0 1 4 0	0 4 D - 1	13
RV 2 4 0 0 5 0	0 6 - 3	15	SG 2 7 0 1 4 0	0 4 D - 2	8
RV 2 4 0 0 6 2	0 6 - 3	17	SG 2 7 0 1 7 0	0 4 D - 2	7
RV 2 4 0 0 7 1	0 6 - 3	24	SG 2 7 0 1 8 0	0 4 D - 2	14
RV 2 4 0 0 8 1	0 6 - 3	23	SG 2 7 0 1 8 0	0 4 D - 1	21
RV 2 4 0 0 9 1	0 6 - 3	16	S J 2 7 0 1 1 0	0 2 A	22
RV 2 4 0 1 0 0	0 6 - 3	1	SL 2 3 0 0 0 1	0 4 A - 3	16
RV 2 4 0 1 1 0	0 6 - 3	2	SL 2 3 0 0 2 1	0 4 A - 3	17
RV 2 5 0 0 7 0	0 4 D - 1	2	SL 2 3 0 0 3 1	0 4 A - 3	27
RV 2 5 0 0 7 0	0 4 D - 2	2	SL 2 3 0 0 4 0	0 4 A - 3	24
RV 7 1 0 0 5 0	1 2 - 3	11	SL 2 3 0 0 5 0	0 4 A - 3	30
SC 7 1 0 0 1 0	1 2 - 3	10	SL 2 3 0 0 6 0	0 4 A - 3	31
SF 2 4 0 0 6 1	0 6 - 2	22	SL 2 3 0 0 8 0	0 4 A - 3	26
SG 2 3 0 0 0 0	0 4 B - 1	20	SL 2 3 0 0 9 0	0 4 A - 3	32
SG 2 3 0 0 3 1	0 4 B - 1	18	SL 2 7 0 0 0 0	0 4 D - 2	17
SG 2 3 0 1 8 0	0 4 B - 1	15	SL 2 7 0 0 1 0	0 4 D - 2	18
SG 2 3 0 1 9 0	0 4 B - 1	17	SL 2 7 0 0 2 0	0 4 D - 2	20
SG 2 3 0 2 0 0	0 4 A - 1	16	SL 2 7 0 0 3 0	0 4 D - 2	19
SG 2 3 0 2 0 0	0 4 A - 2	25	SL 2 7 0 0 4 0	0 4 D - 1	11
SG 2 3 0 2 0 0	0 4 A - 3	19	SL 2 7 0 0 4 0	0 4 D - 2	16
SG 2 3 0 2 1 0	0 4 C	11	SL 2 7 0 0 7 0	0 4 A - 3	15
SG 2 3 0 2 2 0	0 4 A - 1	7	SP 2 4 0 0 8 0	0 6 - 1	2
SG 2 3 0 2 2 0	0 4 A - 2	8	SU 2 7 0 0 5 0	0 4 D - 1	10
SG 2 3 0 2 2 0	0 4 A - 3	7	SW 2 3 0 0 0 0	0 4 D - 2	26